

1106150

SPIN 30 PLUS 400V 50HZ

3235602_1106150_R07W - R07W (6/11/2020)



Access Platform Division

Via San Francesco d'Assisi, 8 - 46020 Pegognaga (Mantova) - ITALY Tel. +39 0376
554011 - Fax +39 0376 559855

www.imergroup.com

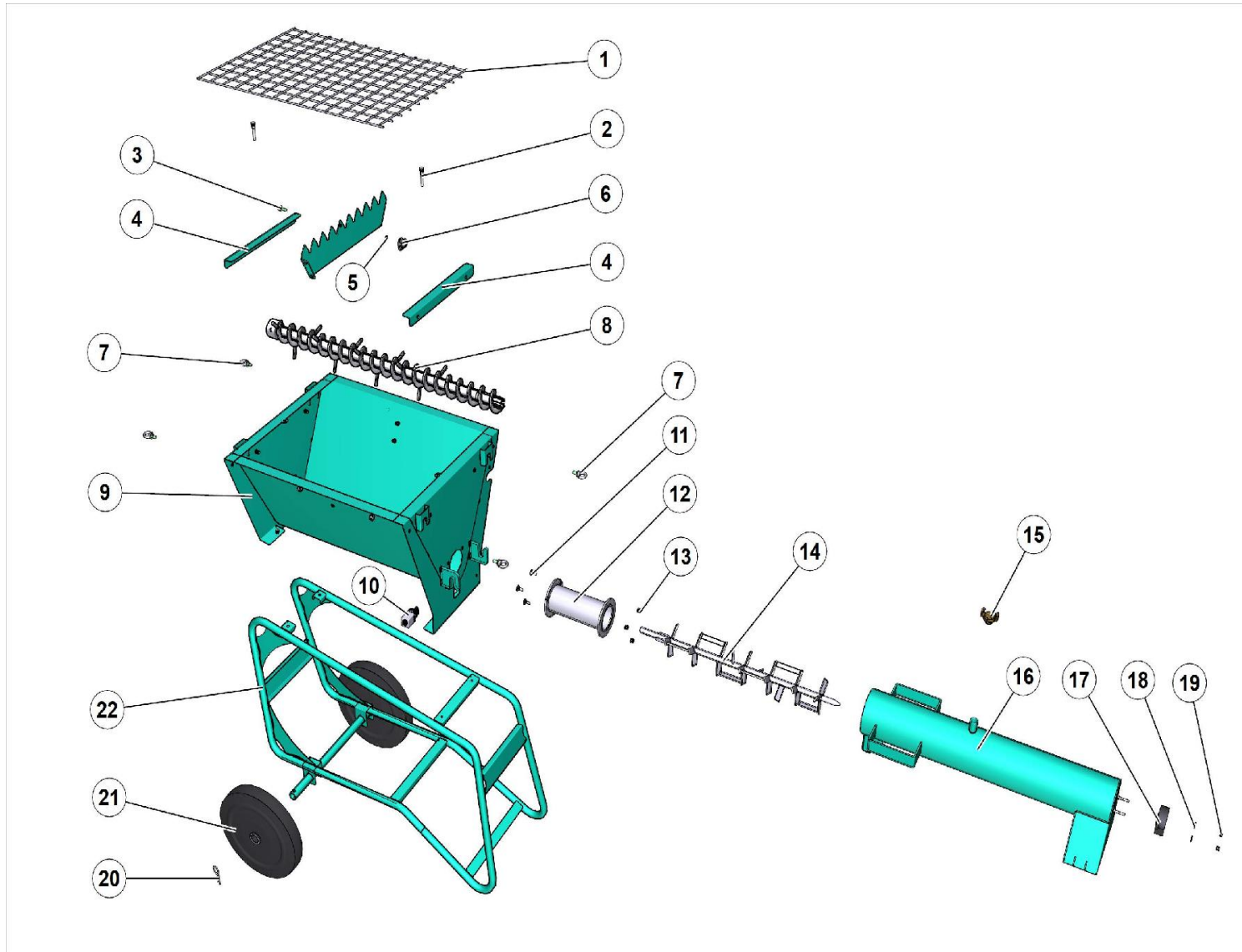
Building Equipment Division

Via della Meccanica, 39 (Zona Industriale Sentino) - 53040 Rapolano Terme
(Siena) - ITALY - Tel. +39 0577 97341 - Fax +39 0577 704077

www.imergroup.com

www.imerglobalcustomercare.com

FRAME AND MIXING CHAMBER



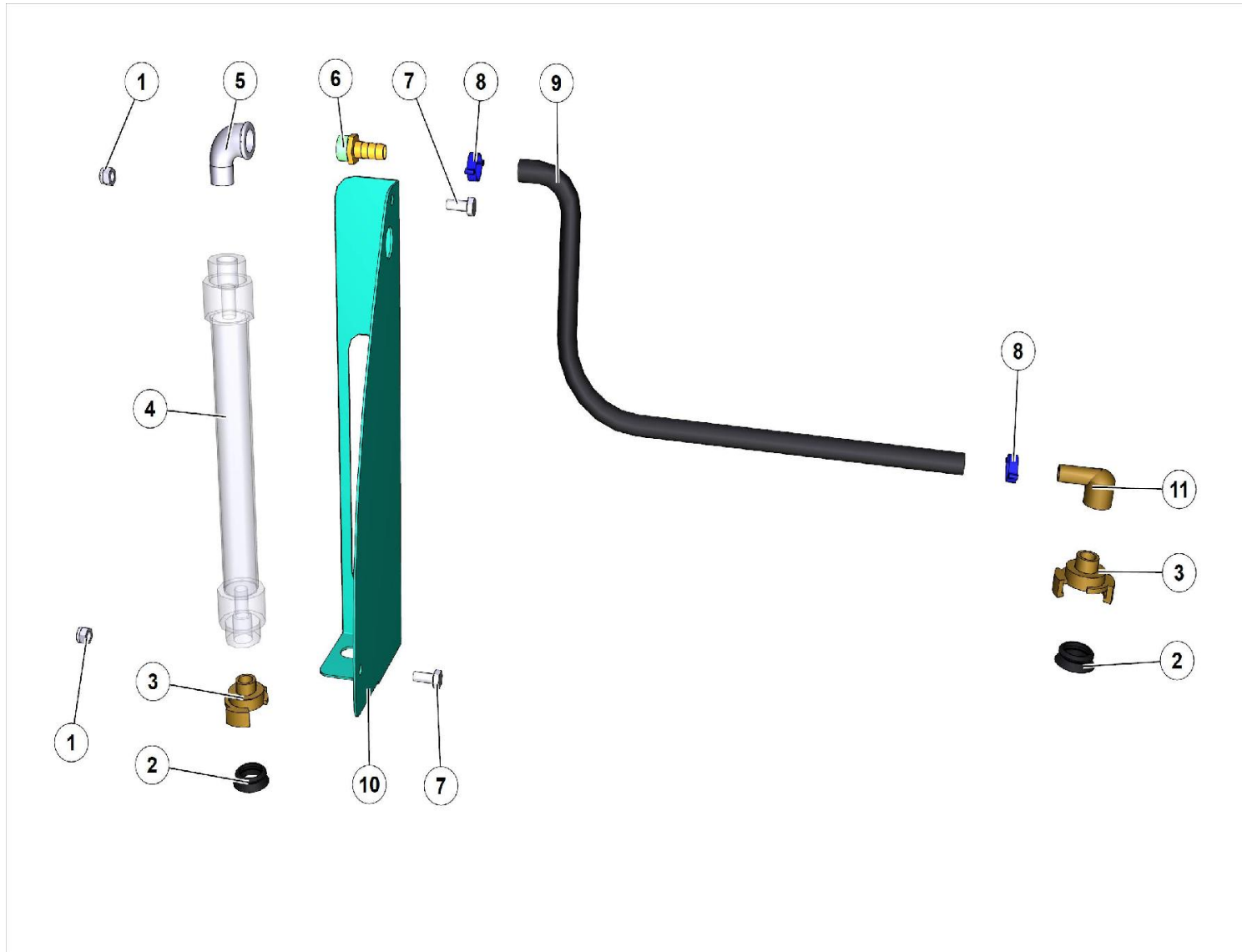


N.	CODE	DESCRIPTION	UM	QTY
1	3235604	GRID		1
2	2222176	SCREW	PZ	2
3	3230236	KNURLED FLANGED CREW 8x25 Z	PZ	1
4	3235666	SUPPORT		2
5	3230084	ELASTIC FIXER FOR SHAFTS D.8	PZ	1
6	3236962	CLAMP	PZ	1
7	3209356	EYE-BOLT/MORTAR PUMP	PZ	4
8	3235603	SPIN 30 PLUS SCREW	PZ	1
9	3235605	HOPPER		1
10	3214791	Limit switch	PZ	1
11	3223987	SCREW TTCQ 5732-65 M8X20 Z	PZ	3
12	3235601	BUSHING		1
13	2223923	LOCK NUT	PZ	3
14	3235606	SPIN 30 PLUS MIXER	PZ	1
15	3224203	RAPID FIXATION/SCREW PUMP	PZ	1
16	3235639	BAND	PZ	1
17	3226559	SUPPORT	PZ	1
18	2224531	WASHER	PZ	2
19	2223924	NUT	PZ	2
20	2226700	SPLIT PIN	PZ	2
21	2211200	WHEELS	PZ	2



N.	CODE	DESCRIPTION	UM	QTY
22	3235638	PAINTED FRAME		1

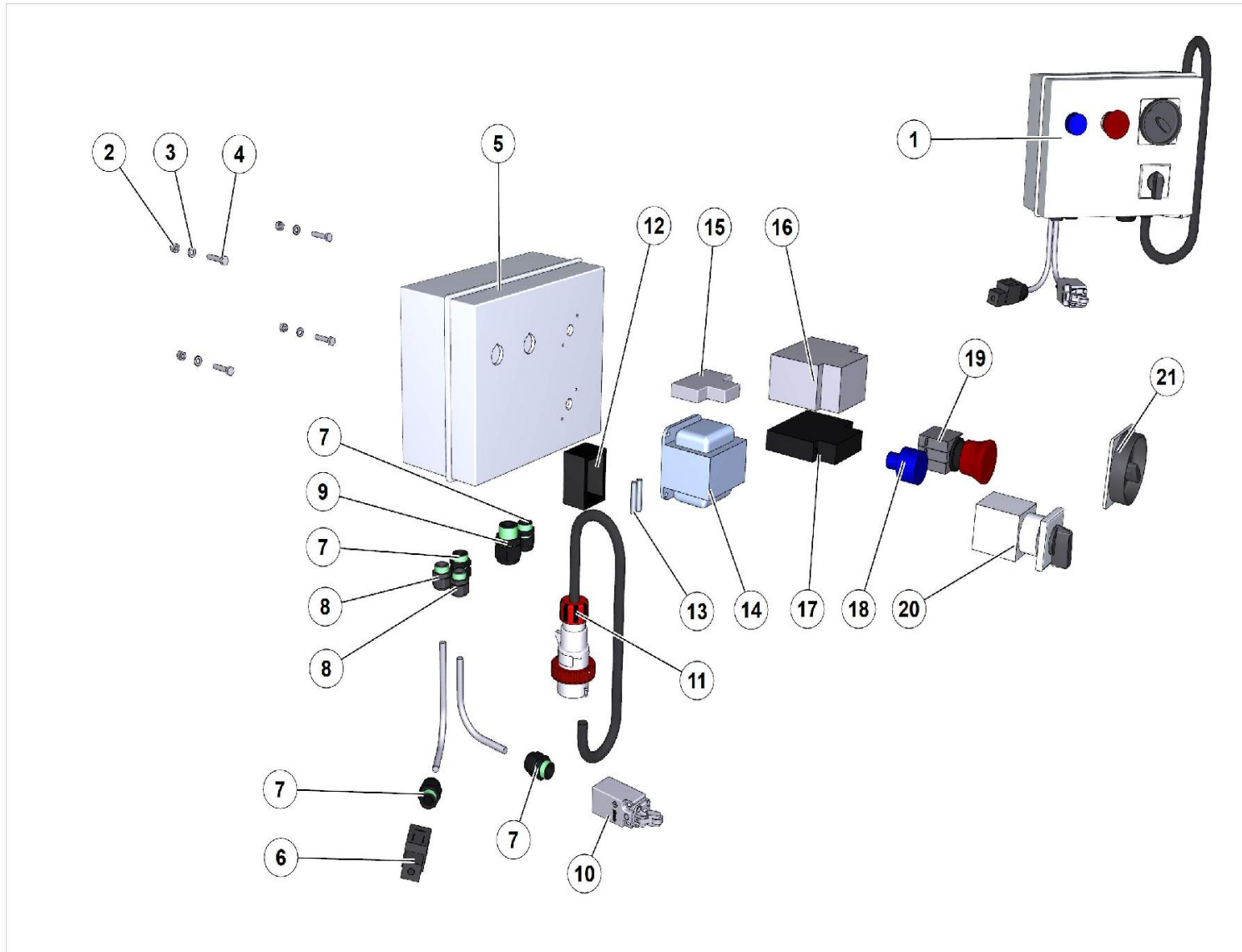
FLOW METER





N.	CODE	DESCRIPTION	UM	QTY
1	2223923	LOCK NUT	PZ	2
2	3223697	GASKET/MORTAR PUMP	PZ	2
3	3224203	RAPID FIXATION/SCREW PUMP	PZ	2
4	3223633	FLOW METER	PZ	1
5	3224351	ELBOW FITTING	PZ	1
6	3223613	HOSE CLAMP/SCREW PUMP	PZ	1
7	2222060	SCREW	PZ	2
8	3223638	RING CLIP	PZ	2
9	3224579	WATER HOSE	PZ	1
10	3235616	PLATE		1
11	3224580	HOSE CONNECTOR	PZ	1

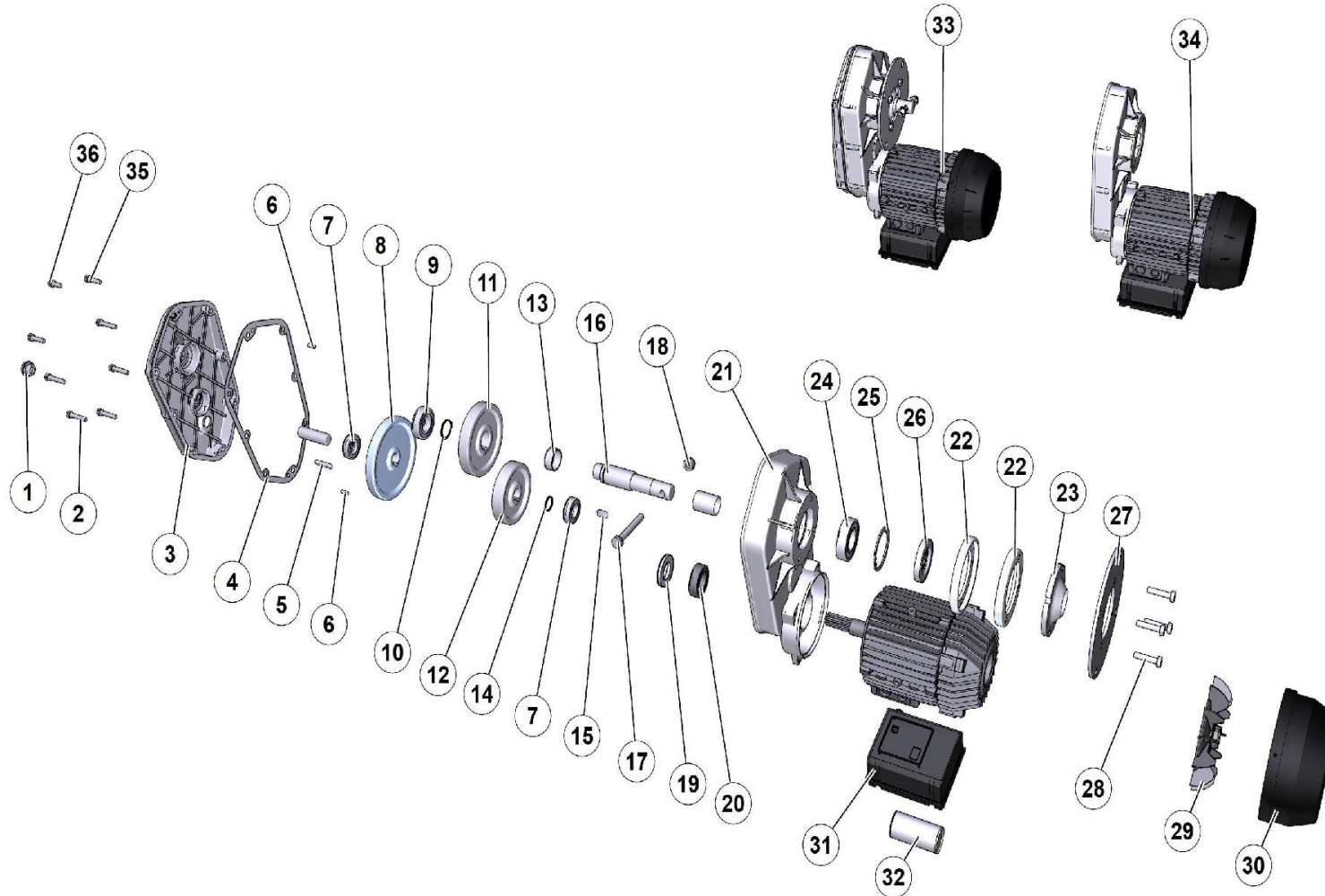
ELECTRIC PANEL





N.	CODE	DESCRIPTION	UM	QTY
1	3235664	ELECTRIC PANEL 380V/50HZ SPIN 30 PLUS		1
2	2223260	NUT	PZ	4
3	2224530	ROLLER/MN	PZ	4
4	2222022	SCREW	PZ	4
5	3235704			1
6	3226204	CONNECTOR	PZ	1
7	3201216	CABLE CLAMP	PZ	4
8	3201217	CABLE CLAMP	PZ	2
9	3211826	CABLE CLAMP		1
10	3214791	Limit switch	PZ	1
11	2278300	PIN	PZ	1
12	3227742	PRIMARY FUSE HOLDER 6.3X32 1A	PZ	1
13	3227783	FUSE 6.3X32 1A 500V	PZ	2
14	3200185	Transformer	PZ	1
15	3225228	RELAY	PZ	1
16	3231508	THERMAL SWITCH	PZ	1
17	3226210	COIL/SCREW PUMP	PZ	1
18	3225241	COMPLETE BLUE LED+LAMP 24V	PZ	1
19	3225237	EMERGENCY PUSHBUTTON	PZ	1
20	3227796	INVERTER/SCREW PUMP	PZ	1
21	3226345	HANDLE/SCREW PUMP	PZ	1

GEARMOTOR



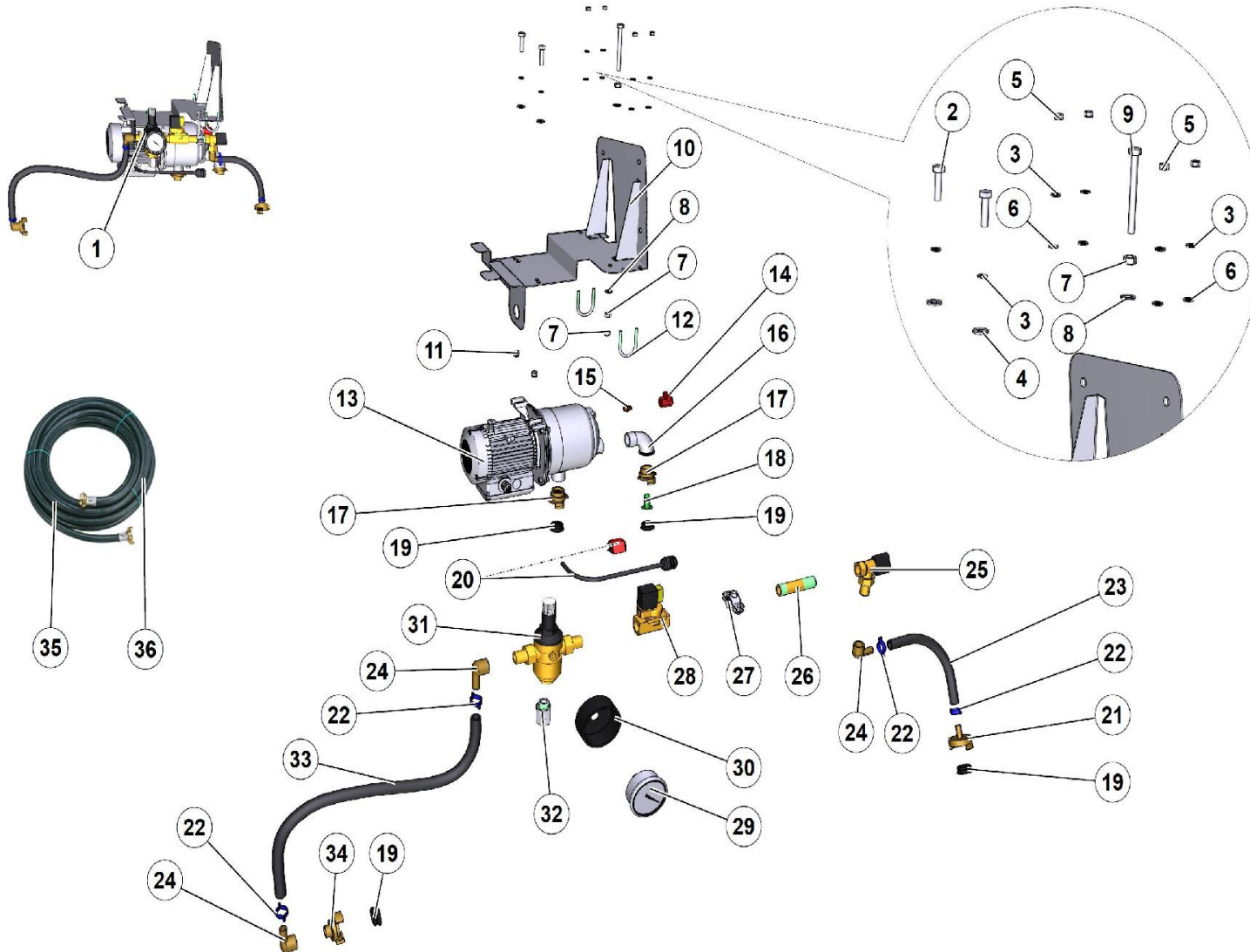


N.	CODE	DESCRIPTION	UM	QTY
1	2235420	level	PZ	1
2	2222514	SCREW	PZ	5
3	3225254	GEARMOTOR FLANGE	PZ	1
4	2216331	GASKET	PZ	1
5	2229327	KEY	PZ	1
6	2228820	Gudgeon pin	PZ	2
7	2204440	Bearing	PZ	2
8	3234947	GEARING		1
9	3227079	BEARING 6205 - CM		1
10	2227240	STOP RING	PZ	1
11	3226632	GEARING	PZ	1
12	3226633	GEARING	PZ	1
13	3226630	SPACER	PZ	1
14	2237301	SPACER	PZ	1
15	2229450	KEY	PZ	1
16	3226623	SHAFT	PZ	1
17	2222145	SCREW	PZ	1
18	2223920	SELF-LOCKING NUT	PZ	1
19	2207355	STOP RING	PZ	1
20	2204391	Bearing	PZ	1
21	3226627	SHELL	PZ	1



N.	CODE	DESCRIPTION	UM	QTY
22	3227053	FLANGE		2
23	3226558	GASKET	PZ	1
24	3227075	BEARING 6206 - CM		1
25	2227660	STOP RING	PZ	1
26	2207490	STOP RING	PZ	1
27	3226555	GEARMOTOR FLANGE	PZ	1
28	2222004	SCREW/SAW	PZ	4
29	3234265	MOTOR FAN/C350 I POWER	PZ	1
30	3296040	FAN COVER	PZ	1
31	3230847	ELEC. BOX+ MOTOR COVER SPIN15	PZ	1
32	3230846	CAPACITOR 60 MF 220/240V 50-60HZ	PZ	1
33	3235648	GEARMOTOR 400V-50HZ SPIN 30 PLUS		1
34	3235646	MOTOR		1
35	2222513	SCREW	PZ	2
36	2222509	SCREW	PZ	1

WATER PLANT





N.	CODE	DESCRIPTION	UM	QTY
1	3235608	WATER SYSTEM SPIN 30 PLUS 400V/50Hz		1
2	2222006	SCREW	PZ	1
3	2224055	ROLLER	PZ	3
4	2224531	WASHER	PZ	1
5	2223280	NUT	PZ	2
6	2224530	ROLLER/MN	PZ	2
7	2223570	NUT	PZ	3
8	2224140	ROLLER 6593	PZ	2
9	2222110	SCREW	PZ	1
10	3235617	PLATE		1
11	2223923	LOCK NUT	PZ	1
12	3227431	GANTRY	PZ	1
13	3224597	CALPEDA PUMP	PZ	1
14	3223620	VALVE	PZ	1
15	3223959	NIPPLE	PZ	1
16	3223882	ELBOW FITTING	PZ	1
17	3223722	MALE QUICK COUPLING/MORTAR PUMP	PZ	2
18	3223639	WATER FILTER/MORTAR PUMP	PZ	1
19	3223697	GASKET/MORTAR PUMP	PZ	4
20	3227388	KIT		1
21	3223615	RAPID CONNECTION/SCREW PUMP	PZ	1



N.	CODE	DESCRIPTION	UM	QTY
22	3223638	RING CLIP	PZ	4
23	3224608	HOSE	M	1
24	3224580	HOSE CONNECTOR	PZ	3
25	3223627	VALVE	PZ	1
26	3223957	BRANCH	PZ	1
27	3226677	COLLAR	PZ	1
28	3228388	SOLENOID VALVE	PZ	1
29	3223625	PRESSURE GAUGE/MORTAR PUMP	PZ	1
30	3224176	RUBBER COVER	PZ	1
31	3223629	PRESSURE REDUCTOR	PZ	1
32	3223622	VALVE	PZ	1
33	3224608	HOSE	M	1
34	3224203	RAPID FIXATION/SCREW PUMP	PZ	1
35	3223706	WATER HOSE	PZ	1
36	3227714	TUBE	PZ	1



Access Platform Division

Via San Francesco d'Assisi, 8 - 46020 Pegognaga (Mantova) - ITALY Tel. +39 0376
554011 - Fax +39 0376 559855

www.imergroup.com

Building Equipment Division

Via della Meccanica, 39 (Zona Industriale Sentino) - 53040 Rapolano Terme
(Siena) - ITALY - Tel. +39 0577 97341 - Fax +39 0577 704077

www.imergroup.com