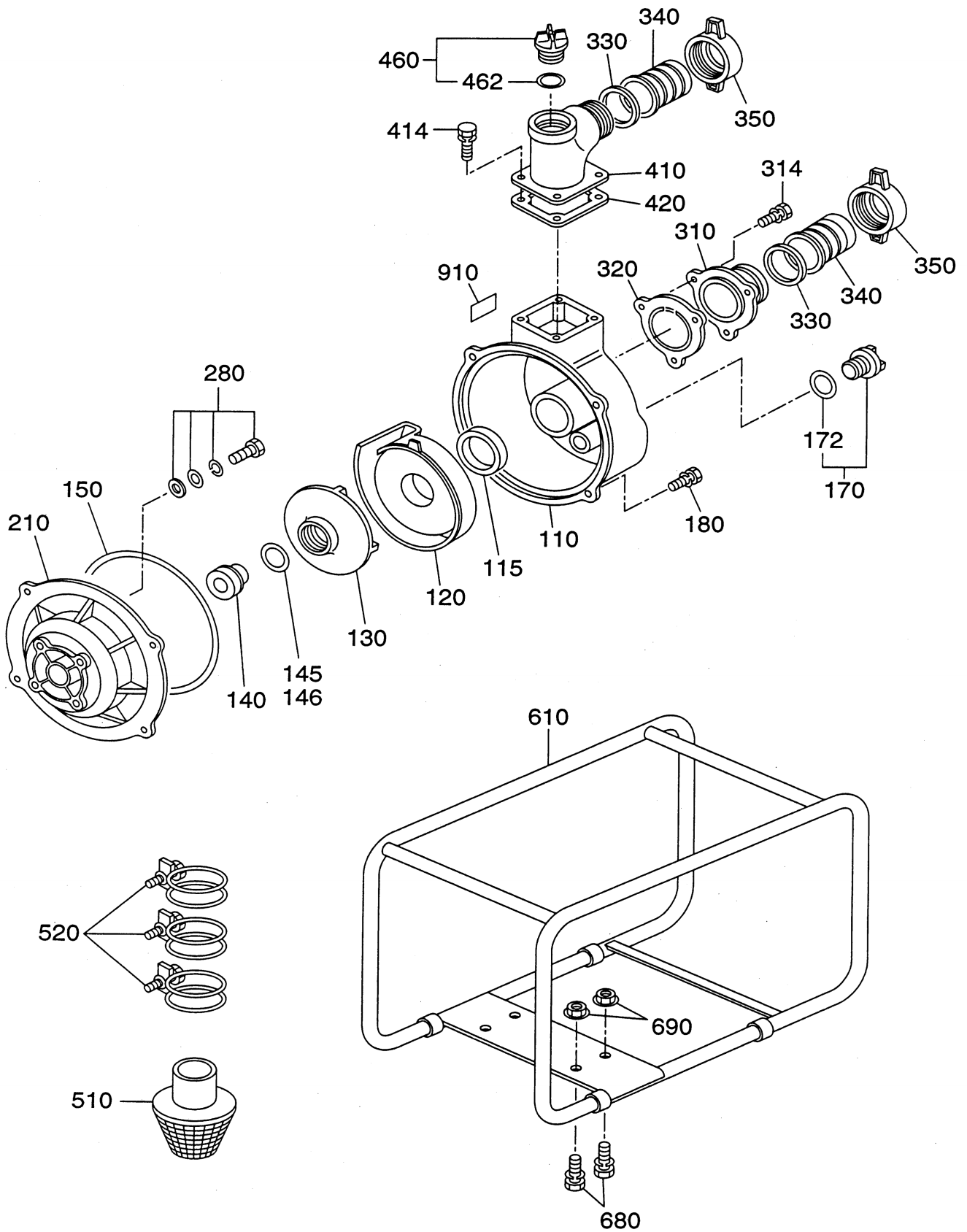


FIG. 4200



4 2 PUMP

REF. NO.	PART NUMBER		PART NAME		CODE NO. FROM - TO	QTY	REMARKS	INTERCHANGEABLE PART NUMBER	FIG. NO.
		PART NUMBER		SPEC. NO.					
110	480-05010-01		CASING		-	1			4200
115	480-05010-12		PACKING, INNER CASING		-	1			4200
120	480-05010-11		INNER CASING		-	1			4200
130	480-05010-09		IMPELLER		-	1			4200
140	480-05010-10		MECHANICAL SEAL		-	1			4200
145	480-05010-42		SHIM		-	1	T=0.3		4200
146	480-05010-43		SHIM		-	1	T=0.6		4200
150	480-05010-02		O-RING		-	1			4200
170	480-05010-21		PLUG, DRAIN		-	1			4200
172	480-05010-22		O-RING		-	1			4200
180	480-05310-03		HEX BOLT		-	4			4200
210	480-05010-04		CASING COVER		-	1			4200
280	480-05010-05		CASING BOLT AY		-	4			4200
310	480-05010-13		VALVE CASE		-	1			4200
314	480-05010-14		HEX BOLT		-	3			4200
320	480-05010-15		CHECK VALVE		-	1			4200
330	480-05010-17		PACKING, COUPLING		-	2			4200
340	481-00001-14		HOSE COUPLING (ABS)		-	2			4200
350	481-00001-15		COUPLING HANDLE (ABS)		-	2			4200
410	480-05010-19		BEND		-	1			4200
414	480-05010-14		HEX BOLT		-	4			4200
420	480-05010-20		PACKING, BEND		-	1			4200
460	480-05010-21		PLUG, DRAIN		-	1			4200
462	480-05010-22		O-RING		-	1			4200
510	480-05050-29		STRAINER		-	1			4200
520	480-05010-28		HOSE BAND		-	3			4200
610	481-00001-49		FRAME		-	1			4200
680	480-05010-23		HEX BOLT		-	4			4200
690	480-05010-24		FLANGE NUT		-	4			4200
910	484-00001-03		LABEL (PUMP NAME)		-	1			4200
	484-00002-03		PTX20100010		-	1			4200