

WALK BEHIND VIBRATING ROLLER

VR22E

batmatic

Italia Star Com Due S.R.L.
Autostrada București - Pitești km. 13.2
Loc. Chiajna - Ilfov
Tel: 021.433.03.27
Fax: 021.433.03.26
info@italiastar.ro www.italiastar.ro

January 2018 R01

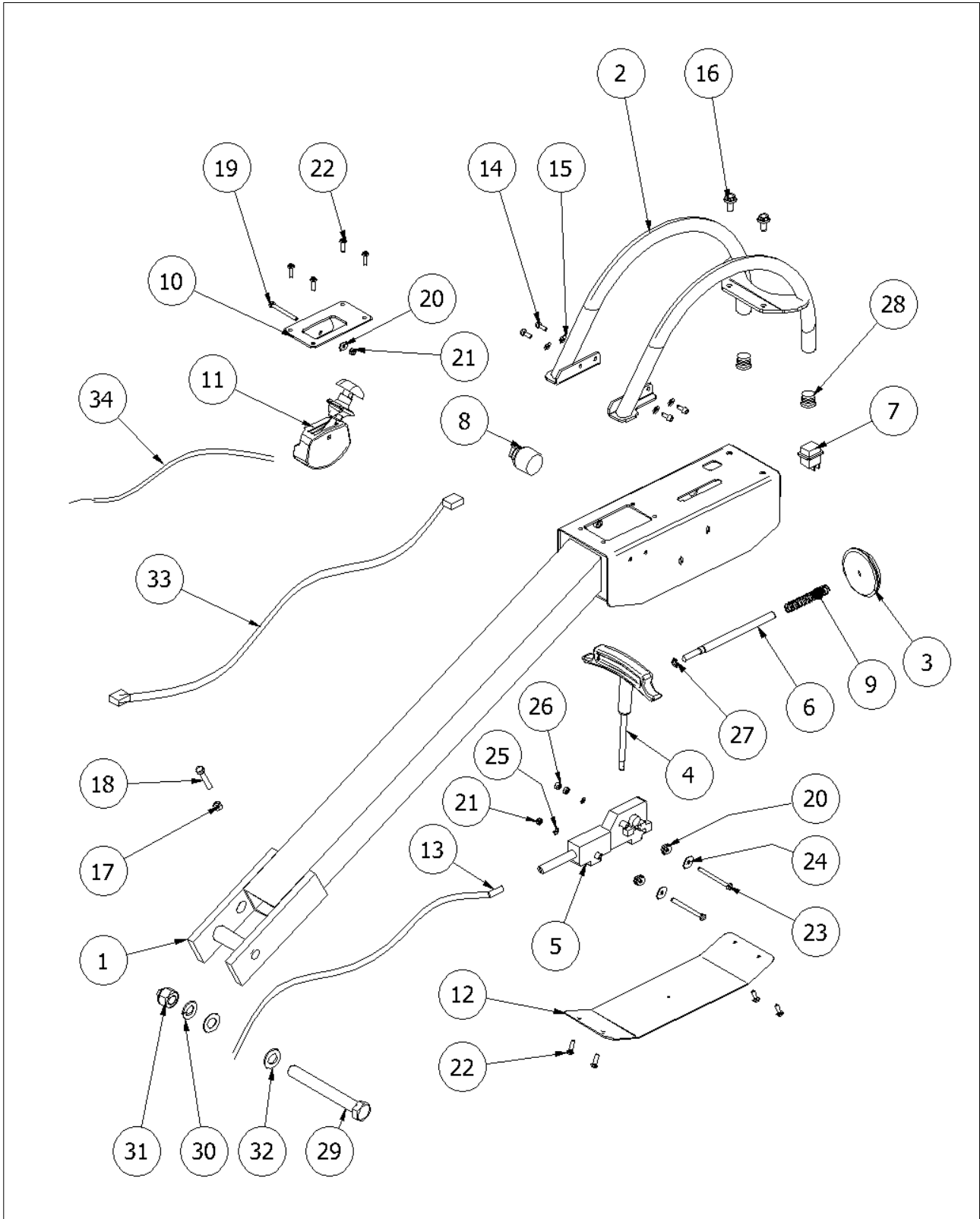
INDEX

HANDLE.....	4
ROLLBAR.....	8
ENGINE SUPPORT.....	10
FRAME.....	12
ROLLERS.....	16
ENGINE.....	18
HYDRAULIC SCHEME.....	20
HYDRAULIC SYSTEM.....	22

HANDLE

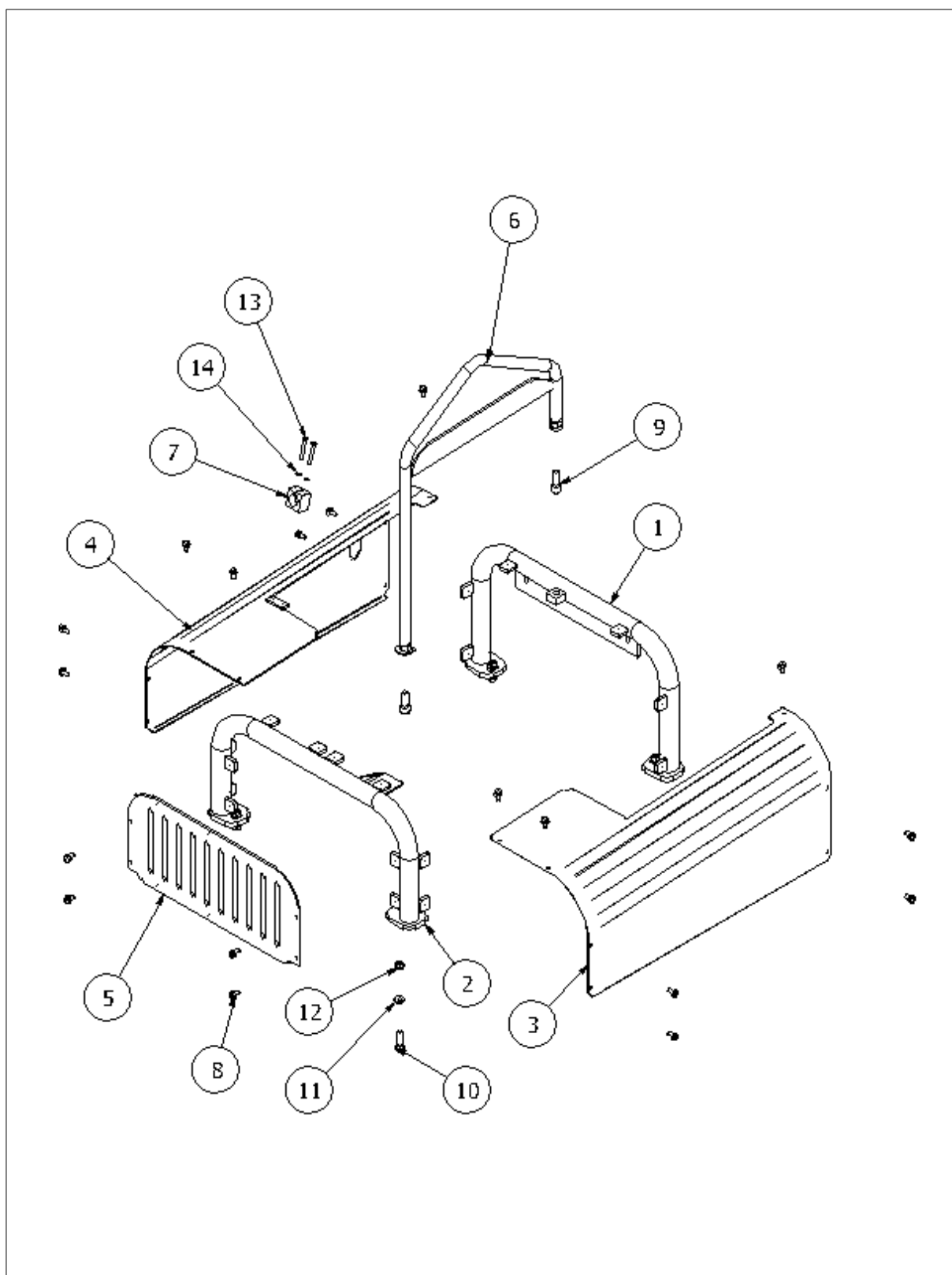
POS.	CODE	DESCRIPTION	QTY
1	520317	HANDLE ROLLER	1
2	520318	BLACK HANDLE	1
3	520346	EMERGENCY KNOB	1
4	520352	DIRECTION LEVER	1
5	151821	PUSH/PULL LEVER	1
6	520347	EMERGENCY DIPSTICK	1
7	131693	ON/OFF VIBRATION SWITCH	1
8	132004	STARTING FRAMEWORK	1
9	151168	SPRING	2
10	520354	THROTTLE LEVER SUPPORT	1
11	151243	THROTTLE LEVER	1
12	520355	HANDLE COVER	1
13	520118	PUSH/PULL CABLE	1
14	151301	SCREW	4
15	151207	WASHER	4
16	152284	SCREW	2
17	151315	NUT	1
18	152149	SCREW	1
19	152154	SCREW	1
20	152073	WASHER	9
21	152157	NUT	2
22	151088	SCREW	8
23	151193	SCREW	2
24	152072	WASHER	2
25	151903	WASHER	2
26	151003	NUT	2
27	151828	SEEGER	1
28	131244	CAP	2

HANDLE



HANDLE

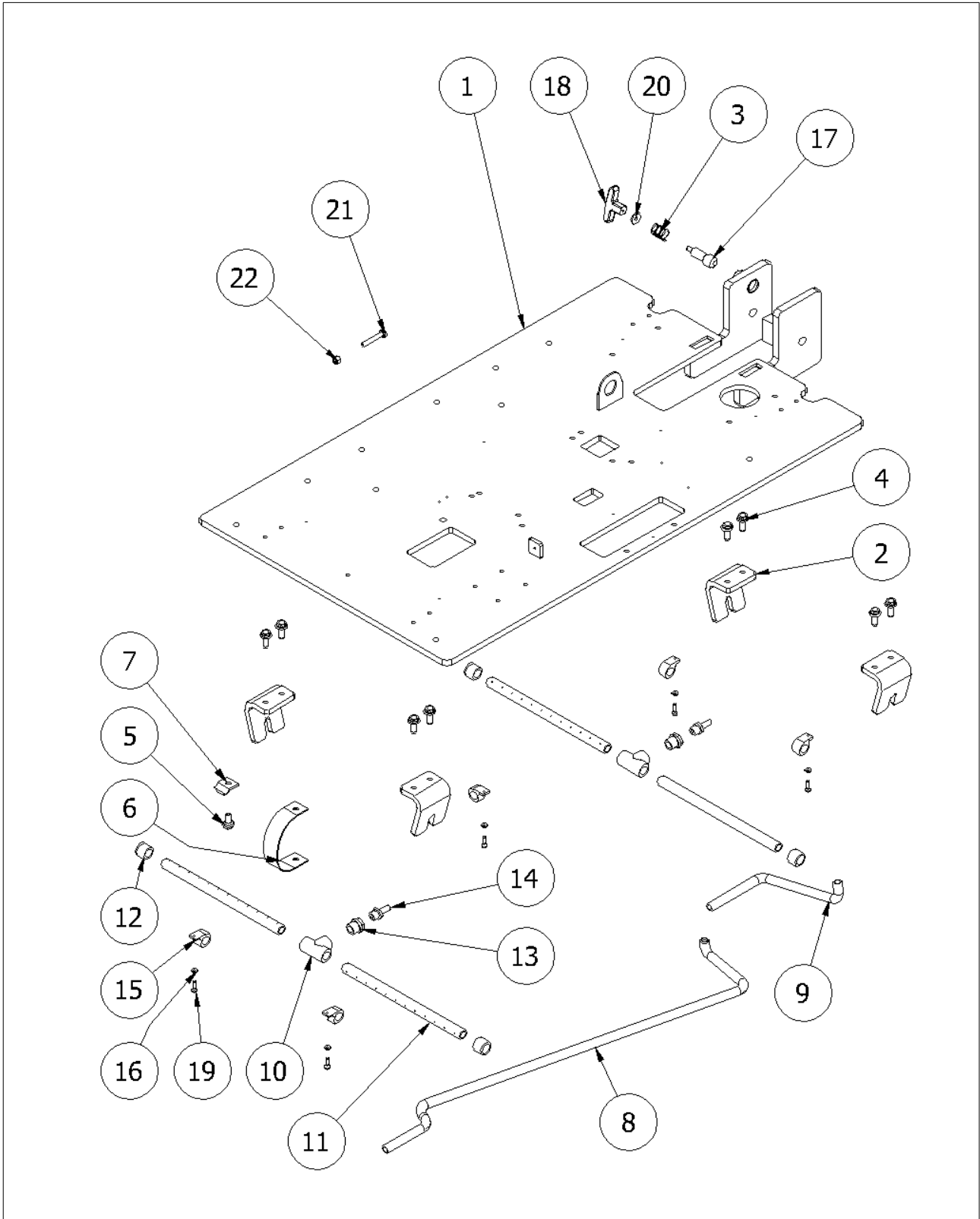
POS.	CODE	DESCRIPTION	QTY
29	152172	SCREW	1
30	152173	WASHER	1
31	151401	NUT	1
32	151203	WASHER	2
33	520124	WIRING	1
34	151248	THROTTLE CABLE WITH SHEAT	1

ROLLBAR

ROLLBAR

POS.	CODE	DESCRIPTION	QTY
1	520322	BACK ROLLER PIPE	1
2	520323	FRONT ROLLER PIPE	1
3	520324	LEFT PANEL	1
4	520325	RIGHT PANEL	1
5	520326	FRONT PANEL	1
6	520356	LIFTING HOOK	1
7	520115	CABLE CLAMP	1
8	152040	SCREW	18
9	152079	SCREW	2
10	152292	SCREW	4
11	151813	WASHER	4
12	151992	LOCKING NUT	4
13	152057	SCREW	2
14	151198	WASHER	2

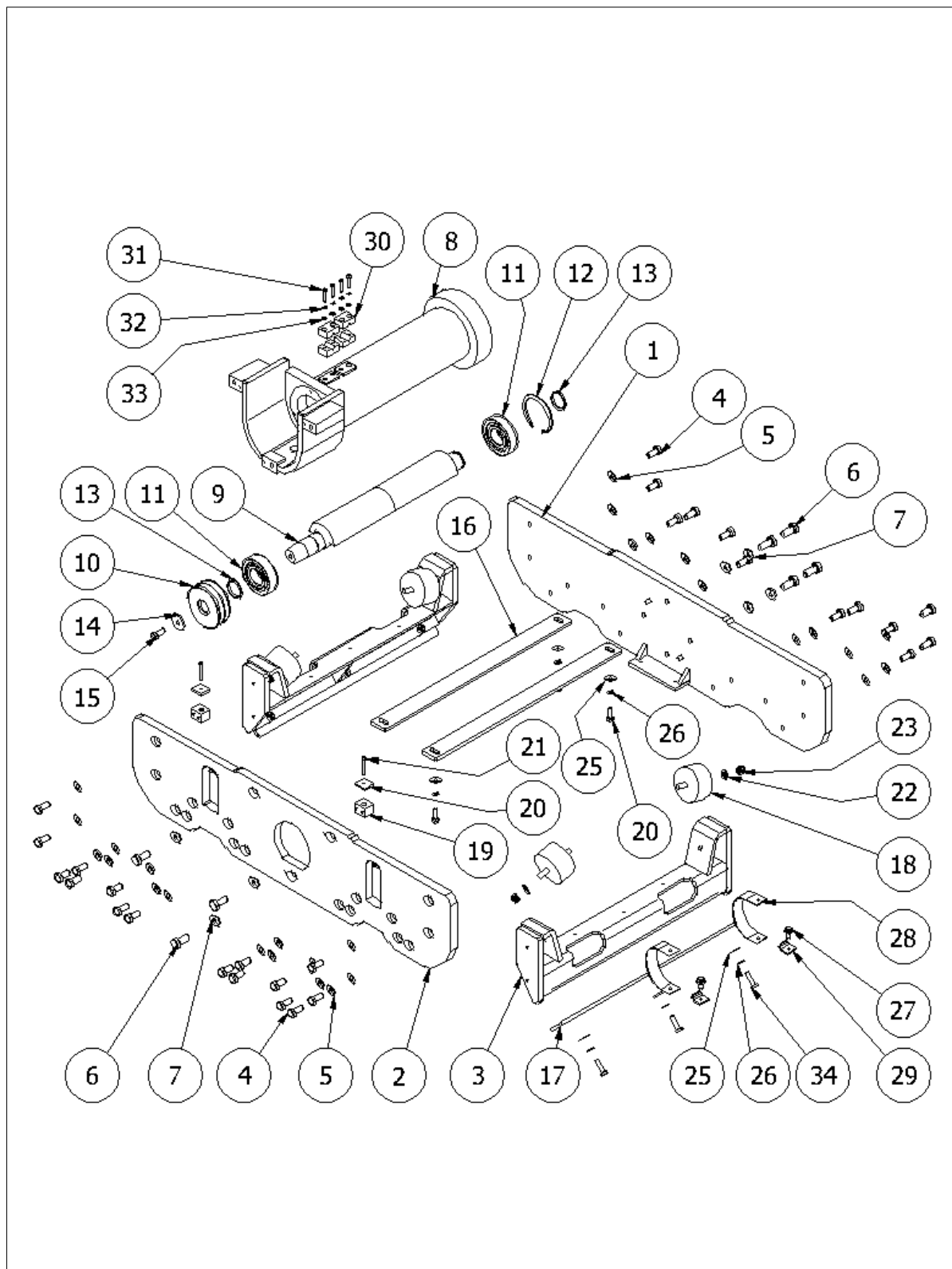
ENGINE SUPPORT



ENGINE SUPPORT

POS.	CODE	DESCRIPTION	QTY
1	520327	ENGINE SUPPORT	1
2	520087	SHOCKMOUNT SUPPORT	4
3	530017	SPRING	1
4	152037	SCREW	8
5	152284	SCREW	1
6	520054	SAFETY BELT	1
7	520055	SEFETY BELT STOP	1
8	520048	PIPE	1
9	520049	PIPE	1
10	132095	T PIPE	2
11	520105	PIPE	4
12	132066	CAP	4
13	132087	REDUCTION	2
14	132083	NIPPLE	2
15	151121	CLAMP	5
16	151198	WASHER	5
17	530003	RETENTION BOLT PIN	1
18	131088	T HANDLE	1
19	151301	SCREW	5
20	152006	WASHER	1
21	152149	SCREW	1
22	151315	NUT	1

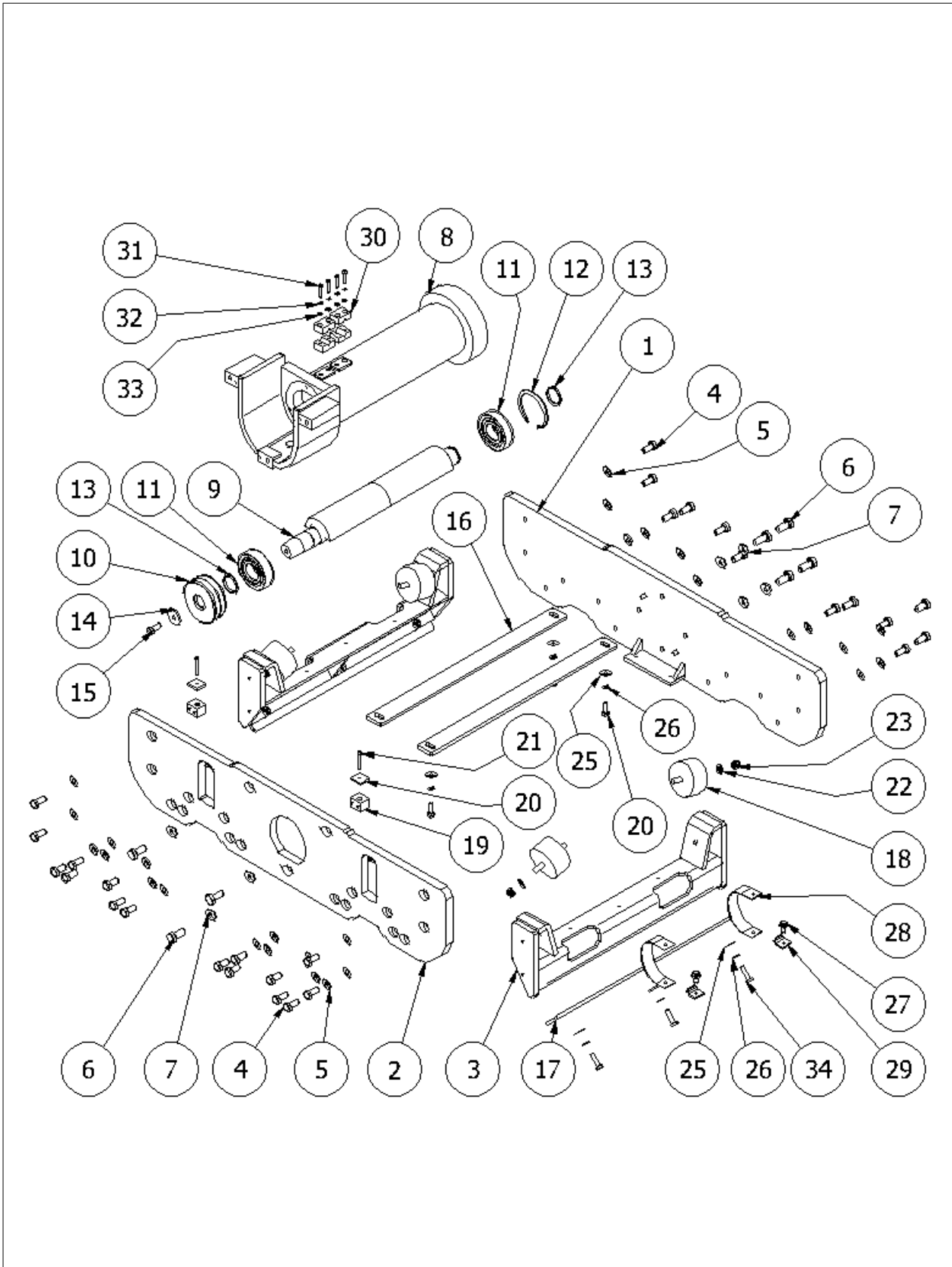
FRAME



FRAME

POS.	CODE	DESCRIPTION	QTY
1	320397	RIGHT PANEL FRAME	1
2	320399	LEFT PANEL FRAME	1
3	320419	CROSSBAR FRAME	2
4	151161	SCREW	28
5	151886	WASHER	28
6	151162	SCREW	7
7	152097	WASHER	7
8	520306	EXCITER GEAR HOUSING	1
9	520340	EXCITER SHAFT	1
10	520341	EXCITER PULLEY	1
11	151106	BEARING NSK 6309 2RS C3 VV	2
12	151159	SEEGER I100 DIN 472	1
13	151102	SEEGER E45 UNI 7435	2
14	530046	WASHER	1
15	152293	SCREW	1
16	520085	INNER SCRAPER	2
17	520316	OUTER SCRAPER	2
18	131857	SHOCKMOUNT D90x50 M-M 12x30	4
19	131105	Collare SCF1 D12	2
20	131106	COLLAR PS CF1	2
21	152116	SCREW	2
22	151201	WASHER	4
23	151084	LOCKING NUT	4
24	152100	SCREW	6
25	152222	WASHER	10
26	152000	WASHER	10
27	152284	SCREW	2
28	520054	SAFETY BELT	2
29	520055	SAFETY BELT STOP	2

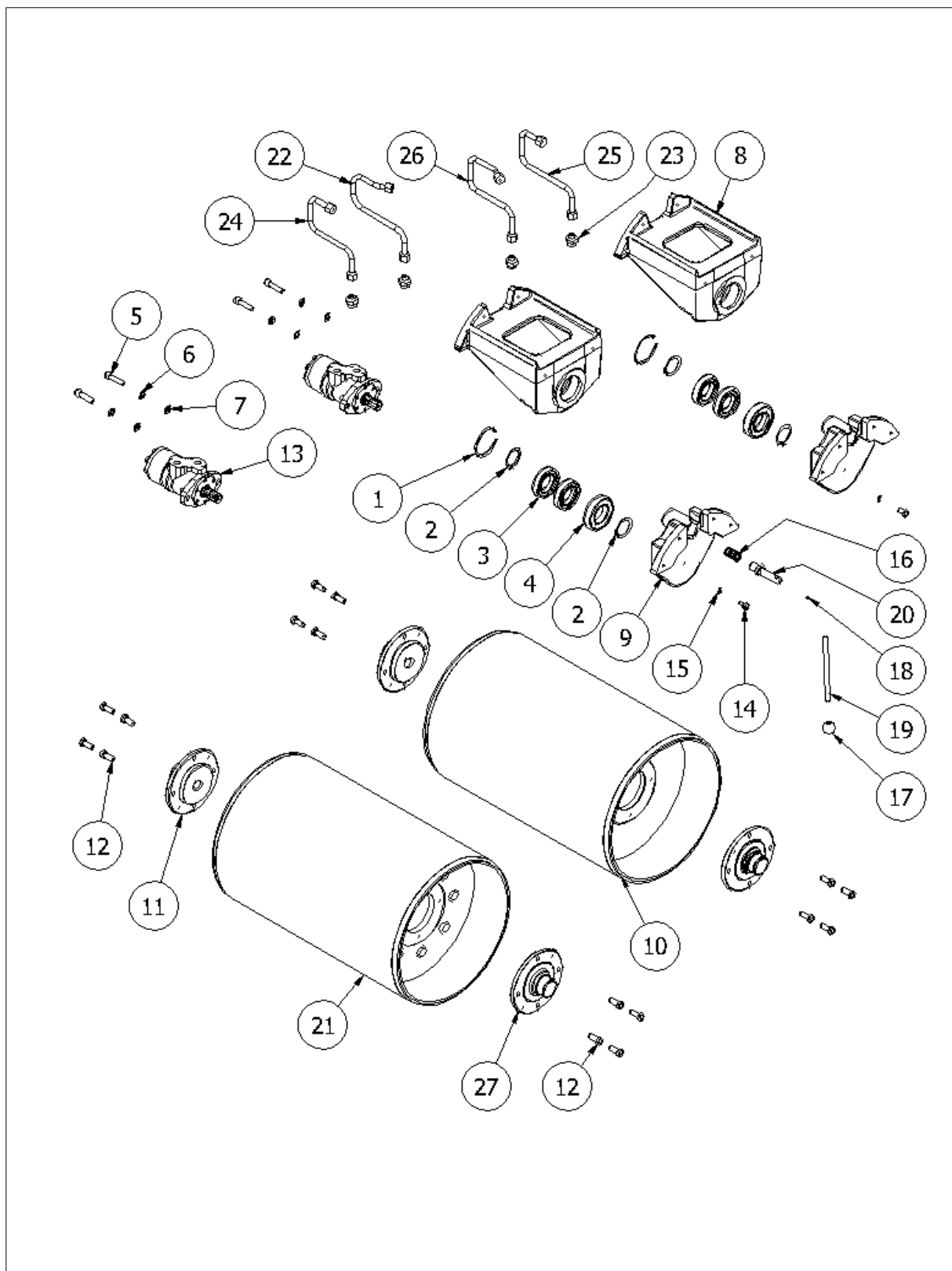
FRAME



FRAME

POS.	CODE	DESCRIPTION	QTY
30	131032	COLLAR C3 D16 con viti	4
31	151302	SCREW	4
32	151903	GROWER WASHER	4
33	151198	WASHER	4
34	151772	SCREW	4

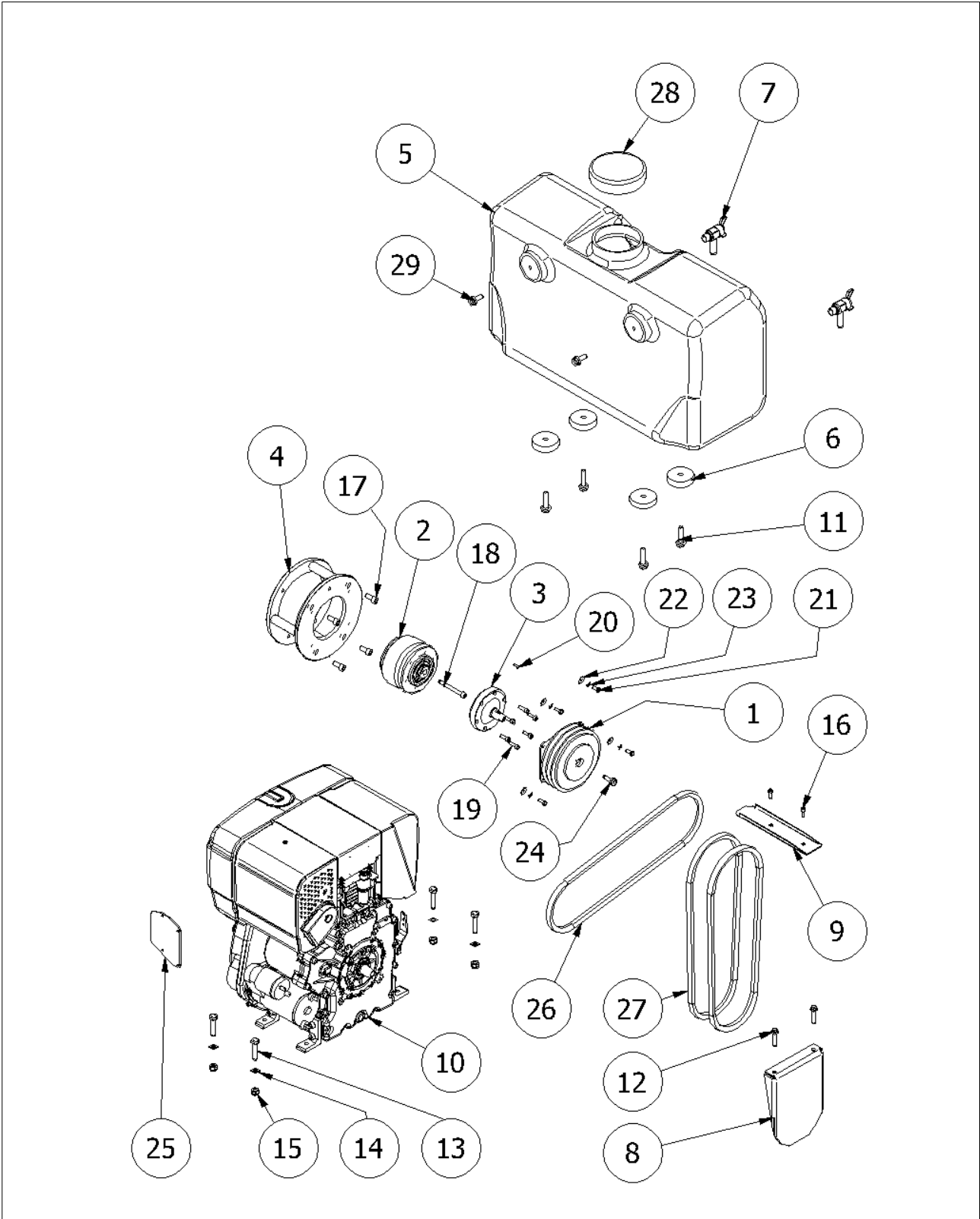
ROLLERS



ROLLERS

POS.	CODE	DESCRIPTION	QTY
1	151052	ELASTIC RING	2
2	151357	SEEGER E. 50	4
3	152208	BEARING 6010 LLU	4
4	152101	BEARING 6210 LLU	2
5	152019	SCREW	4
6	151208	GROWER WASHER	4
7	151201	WASHER	4
8	520303	LEFT ROLLER SUPPORT	2
9	520302	RIGHT ROLLER SUPPORT	2
10	520300	FRONT ROLLER	1
11	520005	ENGINE FLANGE	2
12	152293	SCREW	16
13	131018	ORBITAL ENGINE	2
14	151836	SCREW	2
15	152000	GROWER WASHER	2
16	520025	SPRING	1
17	131041	KNOB	1
18	151118	GRAIN	1
19	520031	BRAKE LEVER	1
20	520030	BRAKE AXLE	1
21	520301	BACK ROLLER	1
22	151165	BAK PIPE	1
23	151163	NIPPLE	4
24	151164	RIGHT POST PIPE	1
25	151167	LEFT FRONT PIPE	1
26	151166	RIGHT FRONT PIPE	1
27	520116	FLANGE	2

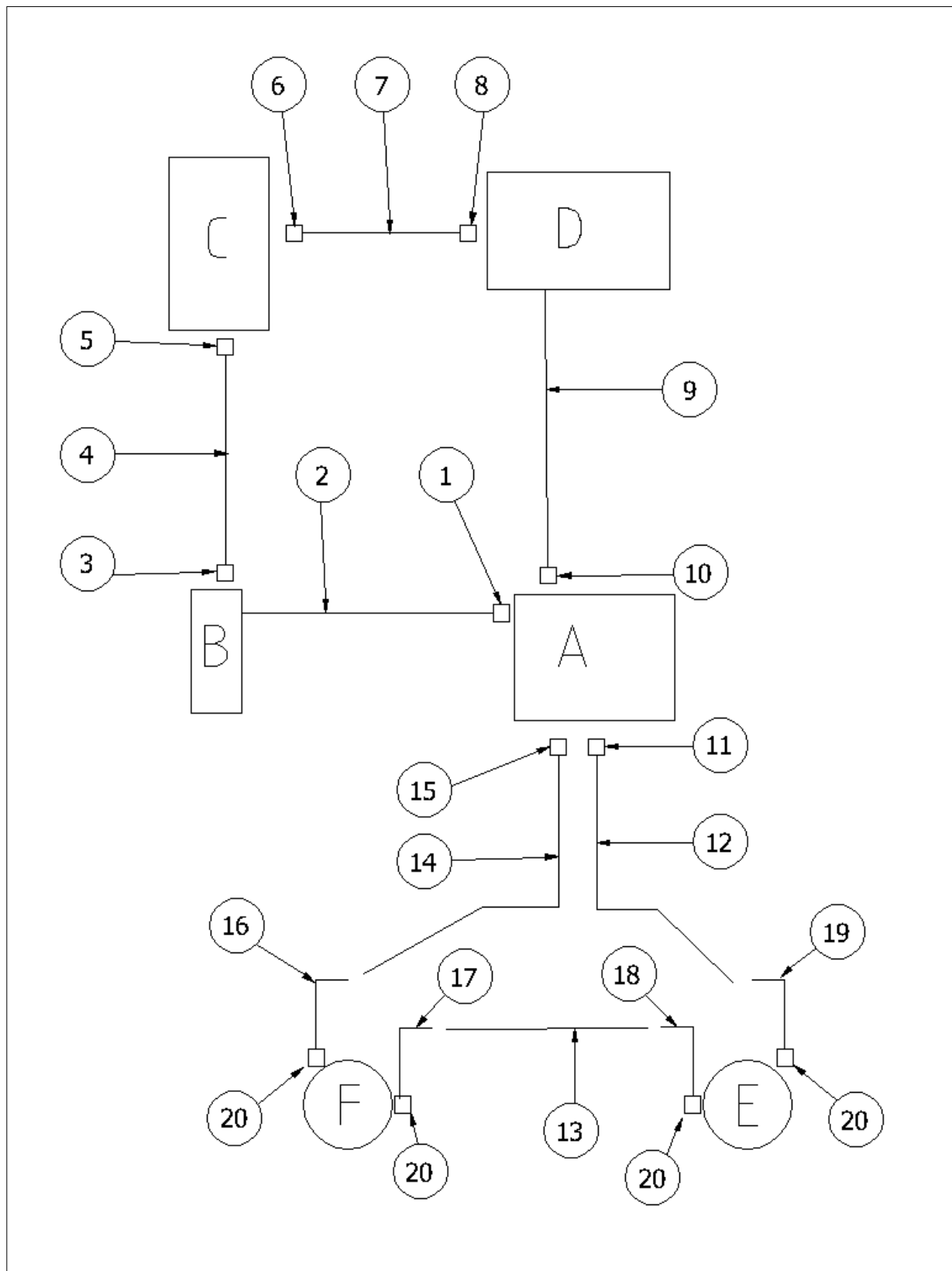
ENGINE



ENGINE

POS.	CODE	DESCRIPTION	QTY
1	152321	ELECTROMAGNETIC CLUTCH	1
2	151242	CENTRIFUGAL CLUTCH	1
3	520334	ELECTROMAGNETIC CLUTCH SHAFT	1
4	520335	ELECTROMAGNETIC CLUTCH SUPPORT 15LD440-L100	1
4	520336	ELECTROMAGNETIC CLUTCH SUPPORT Hatz 1B40	1
5	520014	WATER TANK	1
6	520015	TANK SPACER WASHER	4
7	152276	WATER VALVE	2
8	520357	EXCITER GUARD	1
9	320519	OIL CONDUIT	1
10	182221	Hatz 1B40 ELECTRIC STARTER	1
10	181985	KOHLER 15LD440 ELECTRIC STARTER	1
11	152068	SCREW	4
12	152353	SCREW	2
13	151775	SCREW	4
14	151814	WASHER	4
15	151083	LOCKING NUT	4
16	151301	SCREW	2
17	152296	SCREW	4
18	152074	SCREW	1
19	152136	SCREW	6
20	152075	DISC FLAP	1
21	151021	SCREW	4
22	152073	WASHER	4
23	151903	WASHER	4
24	152038	SCREW	1
25	520359	TENSION REGULATOR SUPPORT FOR 1B40	1
26	131107	A36 BELT	1
27	131108	A38 ½ BLET	2
28	132254	WATER TANK CAP	1
29	152037	SCREW	2

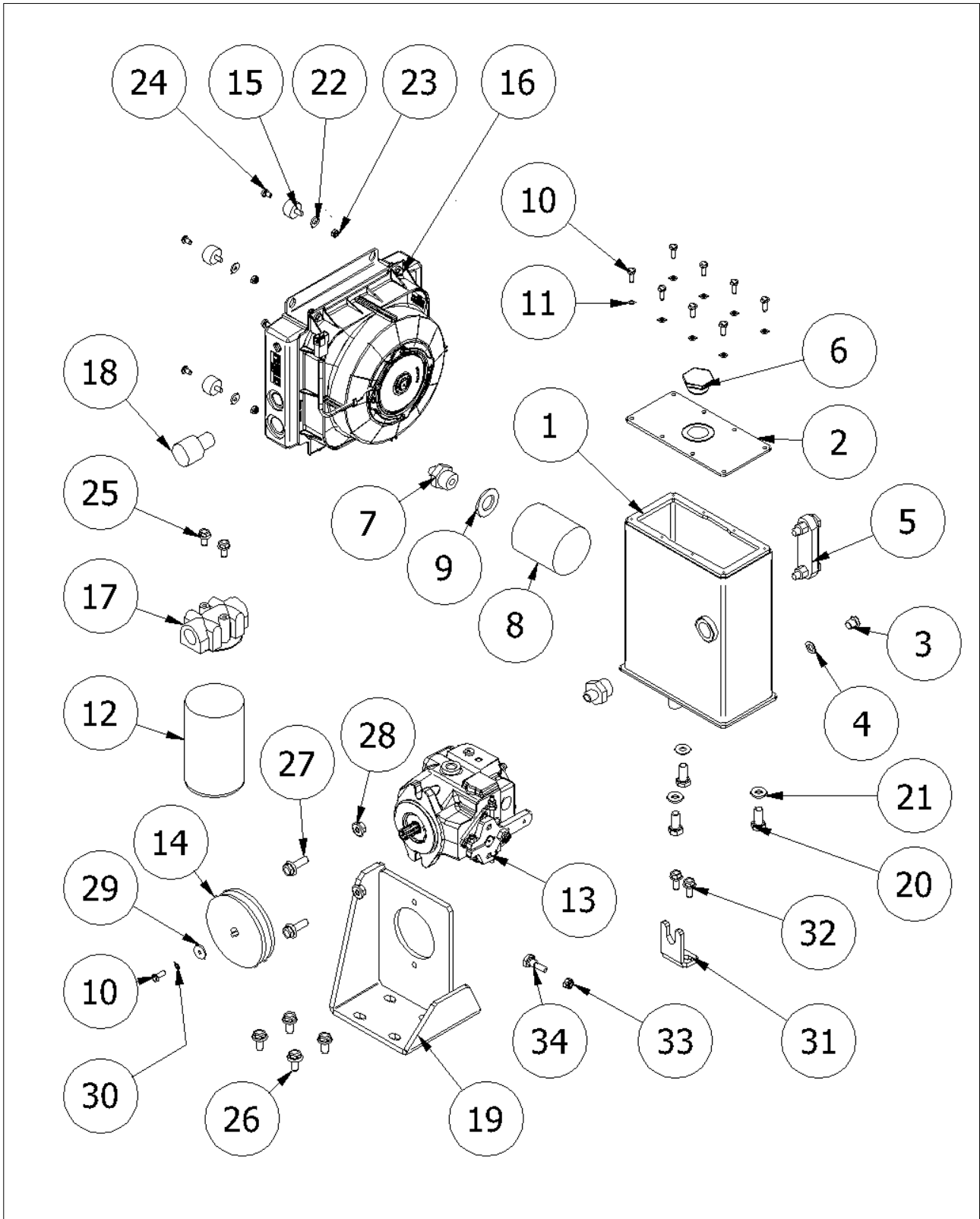
HYDRAULIC SCHEME



HYDRAULIC SCHEME

POS.	CODE	DESCRIPTION	QTY
A	131072	PUMP	1
B	132315	OIL FILTER	1
C	131074	RADIATOR	1
D	520319	TANK	1
E	131018	FRONT ENGINE	1
F	131018	BACK ENGINE	1
1	152329	BNIPPLE	1
2	152330	PIPE	1
3	151232	NIPPLE	1
4	152338	PIPE	1
5	152232	NIPPLE	1
6	152328	NIPPLE	1
7	152332	PIPE	1
8	152328	NIPPLE	1
9	152333	L-SHAPED	1
10	152334	PIPE	1
11	152335	NIPPLE	1
12	152337	PIPE	1
13	151169	PIPE	1
14	152336	PIPE	1
15	152335	NIPPLE	1
16	151164	RIGID PIPE	1
17	151165	RIGID PIPE	1
18	151166	RIGID PIPE	1
19	151167	RIGID PIPE	1
20	151163	NIPPLE	4

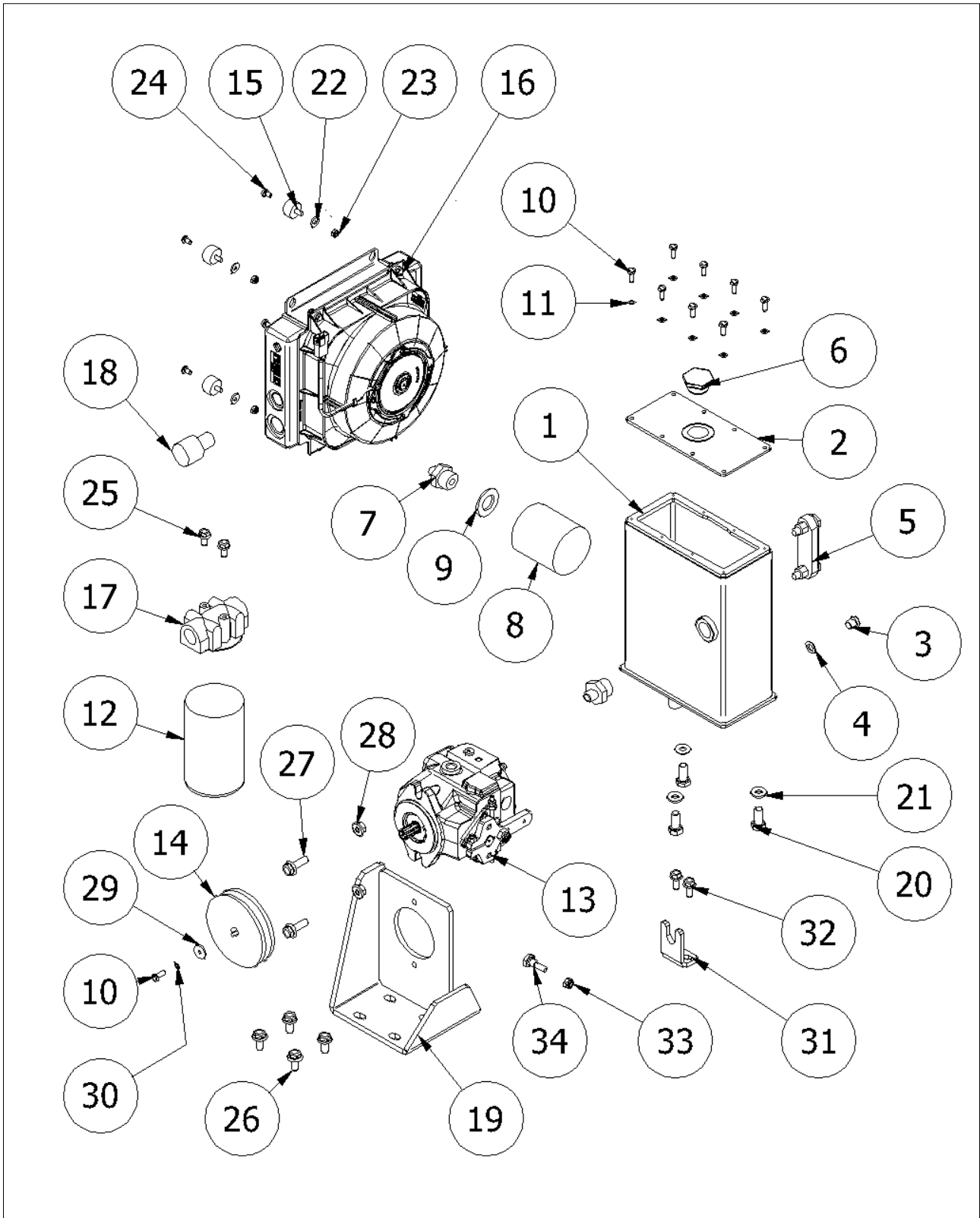
HYDRAULIC SYSTEM



HYDRAULIC SYSTEM

POS.	CODICE	DESCRIPTION	QTY
1	320439	OIL TANK	1
2	320445	OIL TANK CAP	1
3	152181	CAP	1
4	151209	WASHER	1
5	132106	OIL LEVEL	1
6	152314	EXHAUST CAP	1
7	152328	NIPPLE	2
8	132316	INNER FILTER	1
9	151240	WASHER	1
10	151021	SCREW	9
11	151216	WASHER	8
12	132025	OIL FILTER	1
13	131072	PUMP	1
14	520351	PUMP PULLEY	1
15	131999	SHOCKMOUNT D 25x15 M6x12 60 SH	4
16	131074	OIL RADIATOR	1
17	132315	OIL FILTER HEAD	1
18	131075	THERMOSTAT 60°-50° M22X1	1
19	520321	PUMP SUPPORT	1
20	151098	SCREW	3
21	151813	WASHER	3
22	152073	WASHER	4
23	152157	LOCKING NUT	4
24	151127	SCREW	4
25	152040	SCREW	2
26	152284	SCREW	4
27	152039	SCREW	2

HYDRAULIC SYSTEM



HYDRAULIC SYSTEM

POS.	CODICE	DESCRIPTION	QTY
28	151904	NUT	2
29	152072	WASHER	1
30	151903	WASHER	1
31	320501	CONNECTION SUPPORT FLEXBALL VR22 M	1
32	152146	SCREW	2
33	152158	LOCKING NUT	1
34	520106	SCREW PUMP	1

Italia Star Com Due S.R.L.
Autostrada București - Pitești km. 13.2
Loc. Chiajna - Ilfov
Tel: 021.433.03.27
Fax: 021.433.03.26
info@italiastar.ro www.italiastar.ro