

# WALK BEHIND VIBRATING ROLLER

## VR22H

**batmatic**

Italia Star Com Due S.R.L.  
Autostrada București - Pitești km. 13.2  
Loc. Chiajna - Ilfov  
Tel: 021.433.03.27  
Fax: 021.433.03.26  
[info@italiastar.ro](mailto:info@italiastar.ro) [www.italiastar.ro](http://www.italiastar.ro)

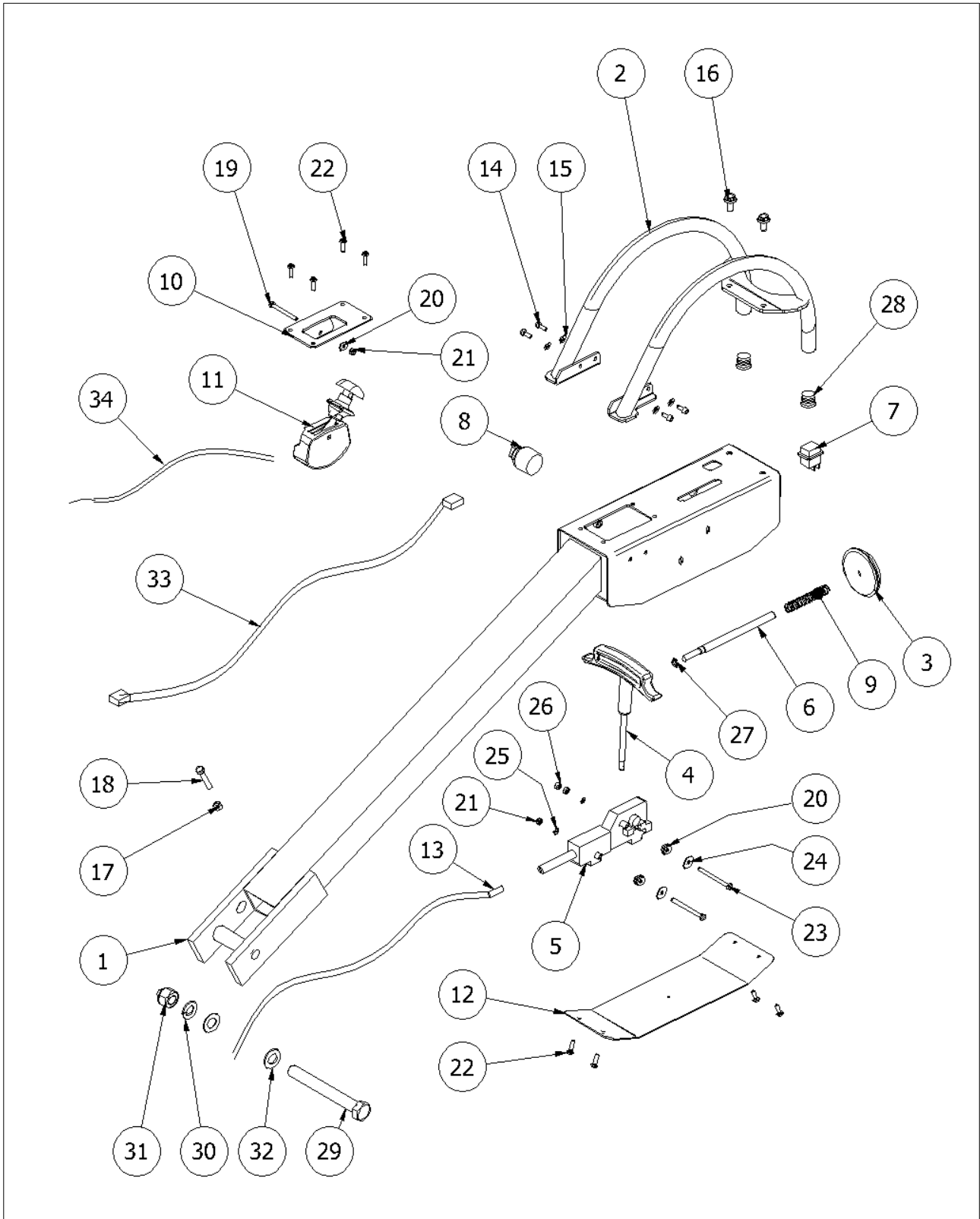
January 2018 R01

# INDEX

HANDLE.....	4
ROLLBAR.....	6
ENGINE SUPPORT.....	8
FRAME.....	10
ROLLERS.....	12
ENGINE.....	14
HYDRAULIC SCHEME.....	16
HYDRAULIC SCHEME.....	18
HYDRAULIC SYSTEM.....	20
BATTERY.....	24
GENERAL WIRING – CODE 520124.....	26
ENGINE WIRING.....	27



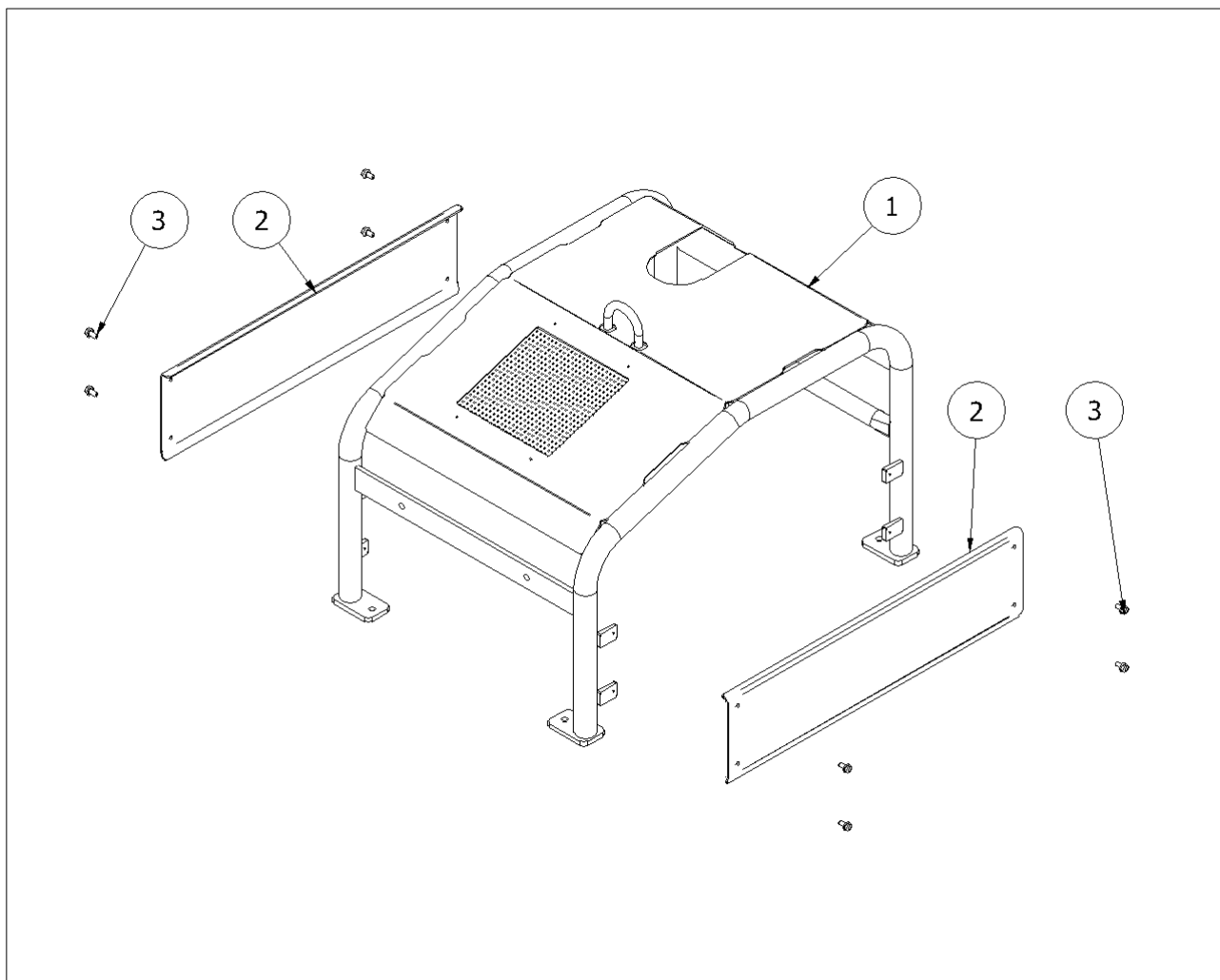
# HANDLE



## HANDLE

POS.	CODE	DESCRIPTION	QTY
1	520317	HANDLE ROLLER	1
2	520318	BLACK HANDLE	1
3	520346	EMERGENCY KNOB	1
4	520352	DIRECTION LEVER	1
5	151821	PUSH/PULL LEVER	1
6	520347	EMERGENCY DIPSTICK	1
7	131693	ON/OFF VIBRATION SWITCH	1
8	132004	STARTING FRAMEWORK	1
9	151168	SPRING	2
10	520354	THROTTLE LEVER SUPPORT	1
11	151243	THROTTLE LEVER	1
12	520355	HANDLE COVER	1
13	520117	PUSH/PULL CABLE	1
14	151301	SCREW	4
15	151207	WASHER	4
16	152284	SCREW	2
17	151315	NUT	1
18	152149	SCREW	1
19	152154	SCREW	1
20	152073	WASHER	9
21	152157	NUT	2
22	151088	SCREW	8
23	151193	SCREW	2
24	152072	WASHER	2
25	151903	WASHER	2
26	151003	NUT	2
27	151828	SEEGER	1
28	131244	CAP	2
29	152172	SCREW	1
30	152173	WASHER	1
31	151401	NUT	1
32	151203	WASHER	2
33	520124	WIRING	1
34	151248	THROTTLE CABLE WITH SHEAT	1

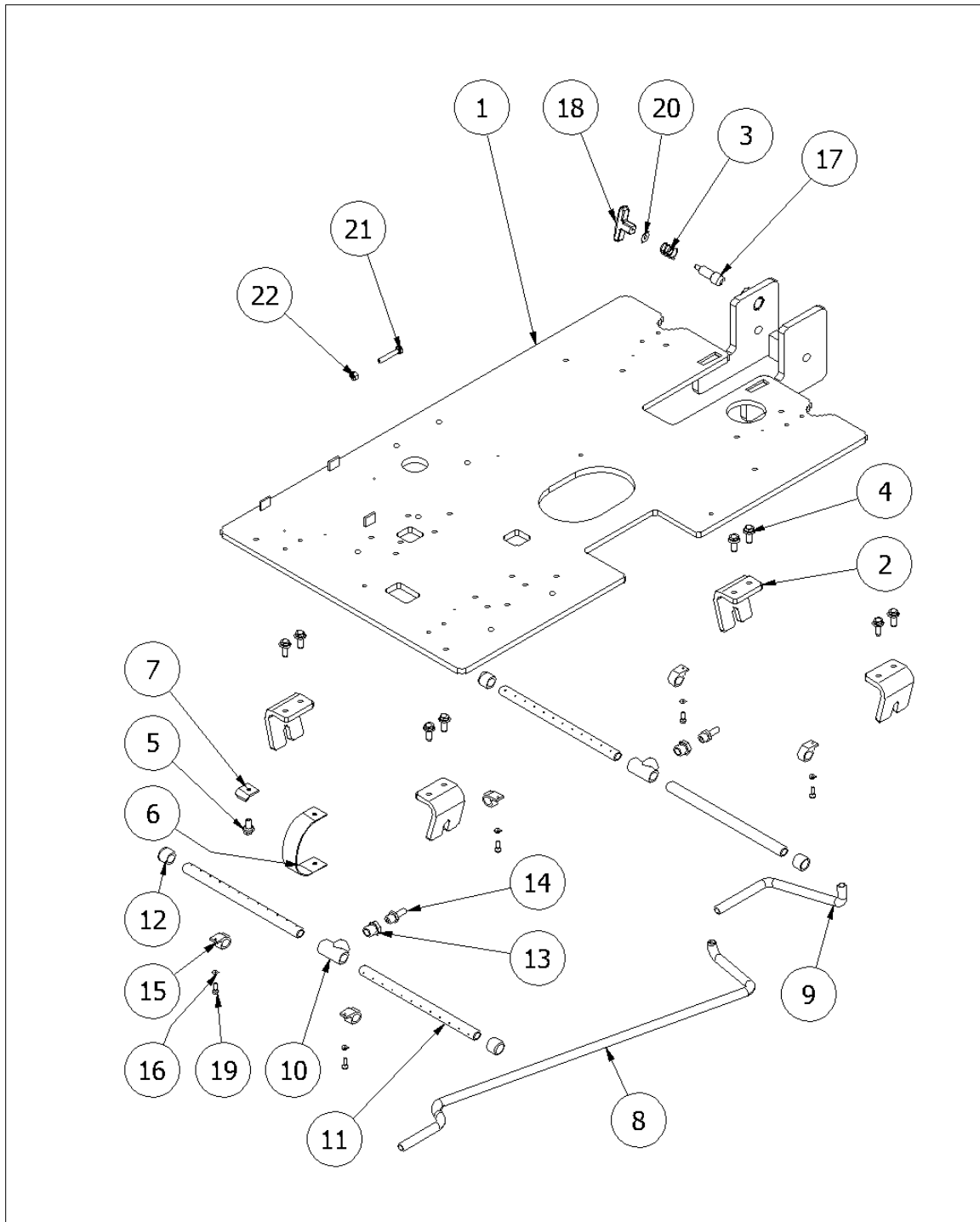
# ROLLBAR



## ROLLBAR

<b>POS.</b>	<b>CODE</b>	<b>DESCRIPTION</b>	<b>QTY</b>
1	520330	ROLLBAR HATZ 1B40 – KOHLER 15LD440	1
1	520329	ROLLBAR HATZ 1D42	1
2	520331	PANEL	2
3	152040	SCREW	8

## ENGINE SUPPORT

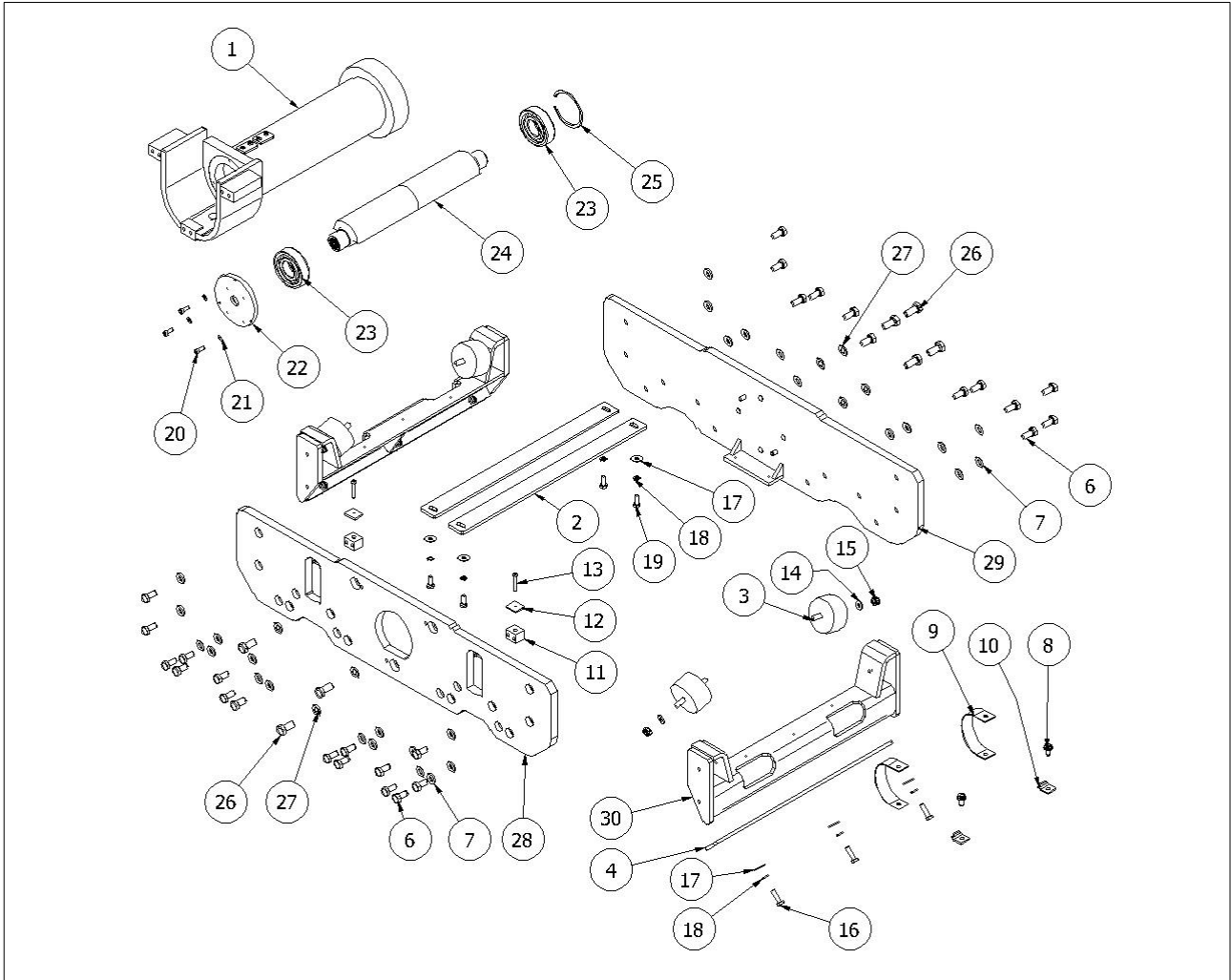




## ENGINE SUPPORT

POS.	CODE	DESCRIPTION	QTY
1	520328	ENGINE SUPPORT	1
2	520087	SHOCKMOUNT SUPPORT	4
3	530017	SPRING	1
4	152037	SCREW	8
5	152284	SCREW	1
6	520054	SAFETY BELT	1
7	520055	SEFETY BELT STOP	1
8	520048	PIPE	1
9	520049	PIPE	1
10	132095	T PIPE	2
11	520105	PIPE	4
12	132066	CAP	4
13	132087	REDUCTION	2
14	132083	NIPPLE	2
15	151121	CLAMP	5
16	151198	WASHER	5
17	530003	RETENTION BOLT PIN	1
18	131088	T HANDLE	1
19	151301	SCREW	5
20	152006	WASHER	1
21	152149	SCREW	1
22	151315	NUT	1

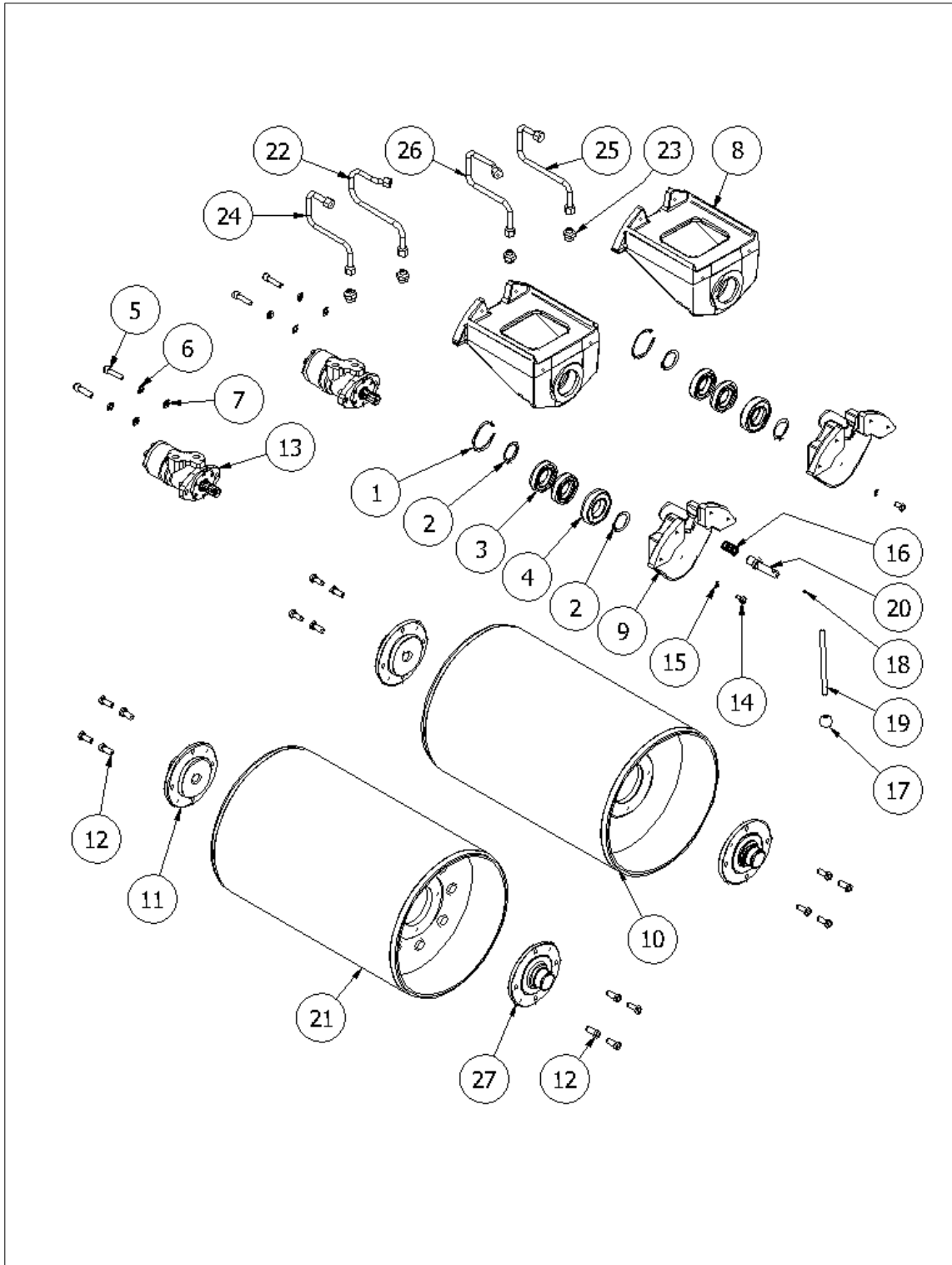
# FRAME



## FRAME

POS.	CODE	DESCRIPTION	QTY
1	520306	EXCITER HOUSING	1
2	520085	INNER SCRAPER	2
3	131857	SHOCKMOUNT	4
4	520316	EXTERNAL SCRAPER	2
5	520314	BACK ROLLER ASSEMBLY	1
6	151161	SCREW	28
7	151886	CONTACT WASHER	28
8	152284	SCREW	2
9	520054	SAFETY BELT	2
10	520055	STOP SAFETY BELT	2
11	131105	COLLAR	2
12	131106	COLLAR PLATE	2
13	152116	SCREW	2
14	151201	WASHER	4
15	151084	NUT	4
16	152100	SCREW	6
17	152222	WASHER	10
18	152000	WASHER	10
19	151856	SCREW	4
20	151407	SCREW	3
21	152207	WASHER	3
22	520309	EXCITER COVER	1
23	151106	BEARING	2
24	520308	HYDRAULIC EXCITER SHAFT	1
25	151159	SEEGER	1
26	151162	SCREW	7
27	152097	WASHER	7
28	320339	LEFT SIDE	1
29	320397	RIGHT SIDE	1
30	320419	BAR	2

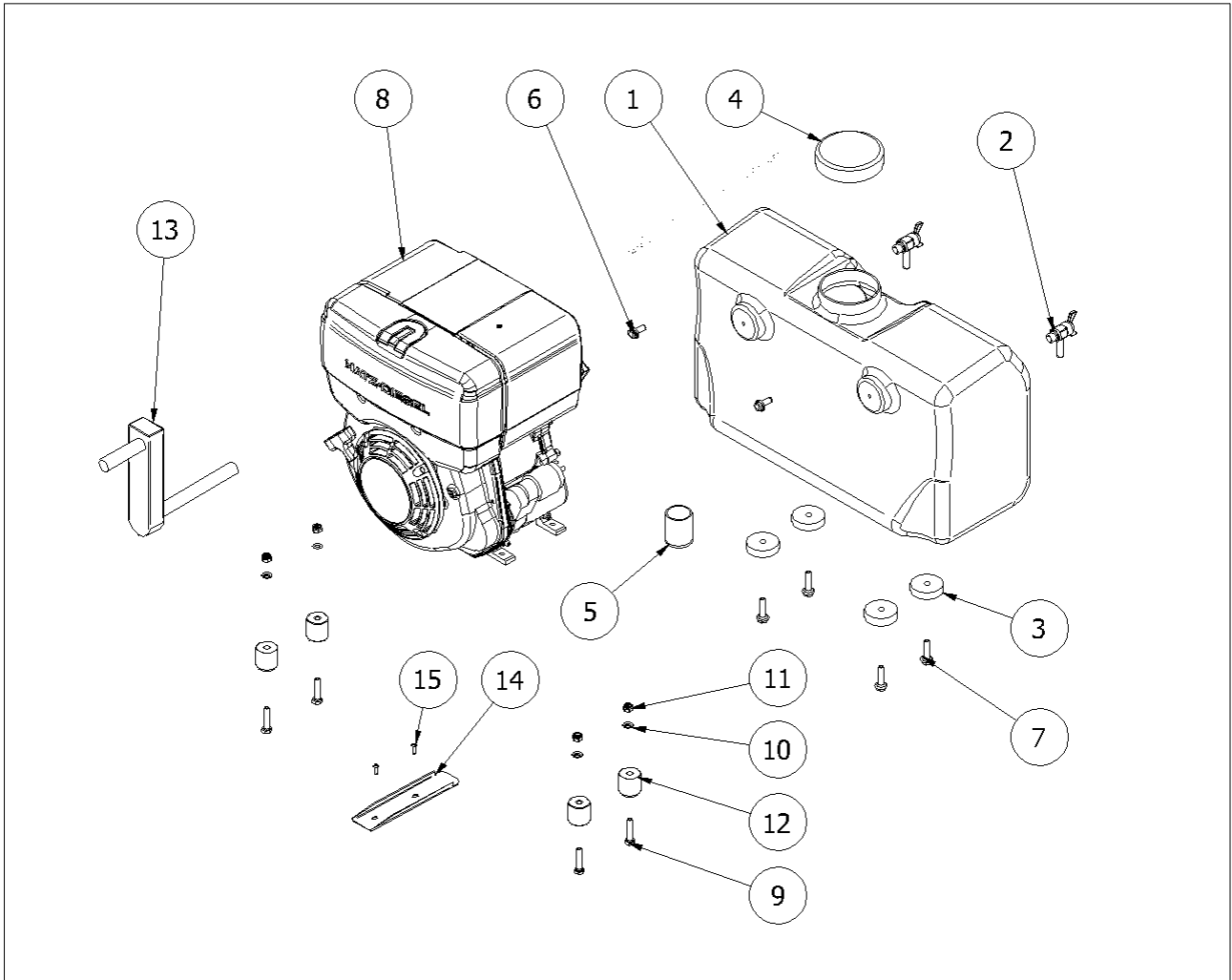
# ROLLERS



## ROLLERS

POS.	CODE	DESCRIPTION	QTY
1	151052	ELASTIC RING	2
2	151357	SEEGER E. 50	4
3	152208	BEARING 6010 LLU	4
4	152101	BEARING 6210 LLU	2
5	152019	SCREW	4
6	151208	GROWER WASHER	4
7	151201	WASHER	4
8	520303	LEFT ROLLER SUPPORT	2
9	520302	RIGHT ROLLER SUPPORT	2
10	520300	FRONT ROLLER	1
11	520005	ENGINE FLANGE	2
12	152293	SCREW	16
13	131018	ORBITAL ENGINE	2
14	151836	SCREW	2
15	152000	GROWER WASHER	2
16	520025	SPRING	1
17	131041	KNOB	1
18	151118	GRAIN	1
19	520031	BRAKE LEVER	1
20	520030	BRAKE AXLE	1
21	520301	BACK ROLLER	1
22	151165	BAK PIPE	1
23	151163	NIPPLE	4
24	151164	RIGHT POST PIPE	1
25	151167	LEFT FRONT PIPE	1
26	151166	RIGHT FRONT PIPE	1
27	520116	FLANGE	2

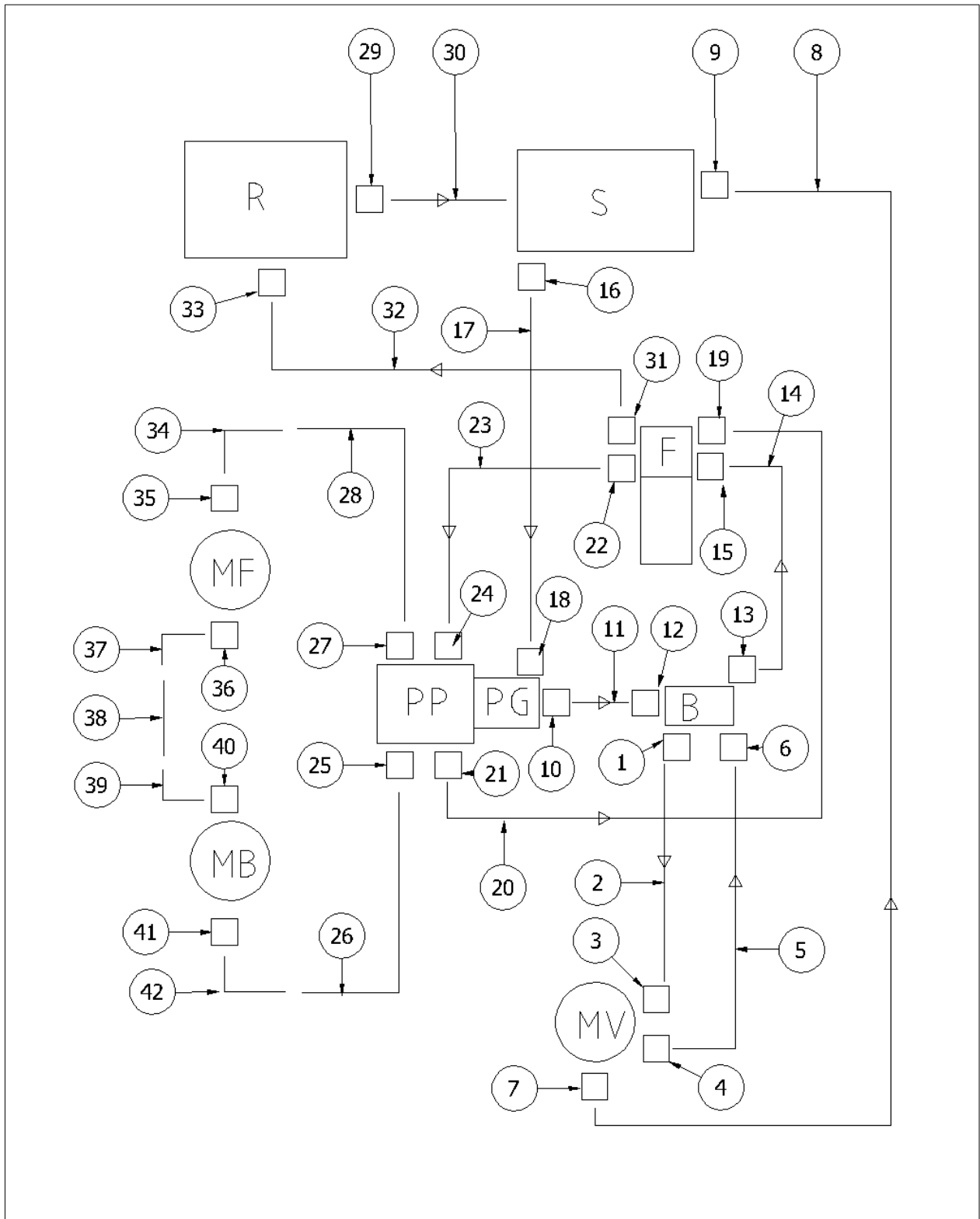
# ENGINE



## ENGINE

POS.	CODE	DESCRIPTION	QTY
1	520014	WATER TANK	1
2	152276	WATER VALVE	2
3	520015	TANK SPACER	4
4	132254	WATER TANK CAP	1
5	132093	EXHAUST OIL CAP	1
6	152037	SCREW	2
7	152068	SCREW	4
8	182221	HATZ 1B40 ENGINE	1
8	182290	HATZ 1D42 ENGINE	1
8	181985	KOHLER 15LD440 ENGINE	1
9	151775	SCREW	4
10	151814	WASHER	4
11	151083	NUT	4
12	530473	SPACER FOR HATZ 1D42 ENGINE	4
13	151881	STARTER LEVER HATZ 1D41-50-81	1
14	320519	OIL CONDUIT	1
15	151020	SCREW	2

### HYDRAULIC SCHEME

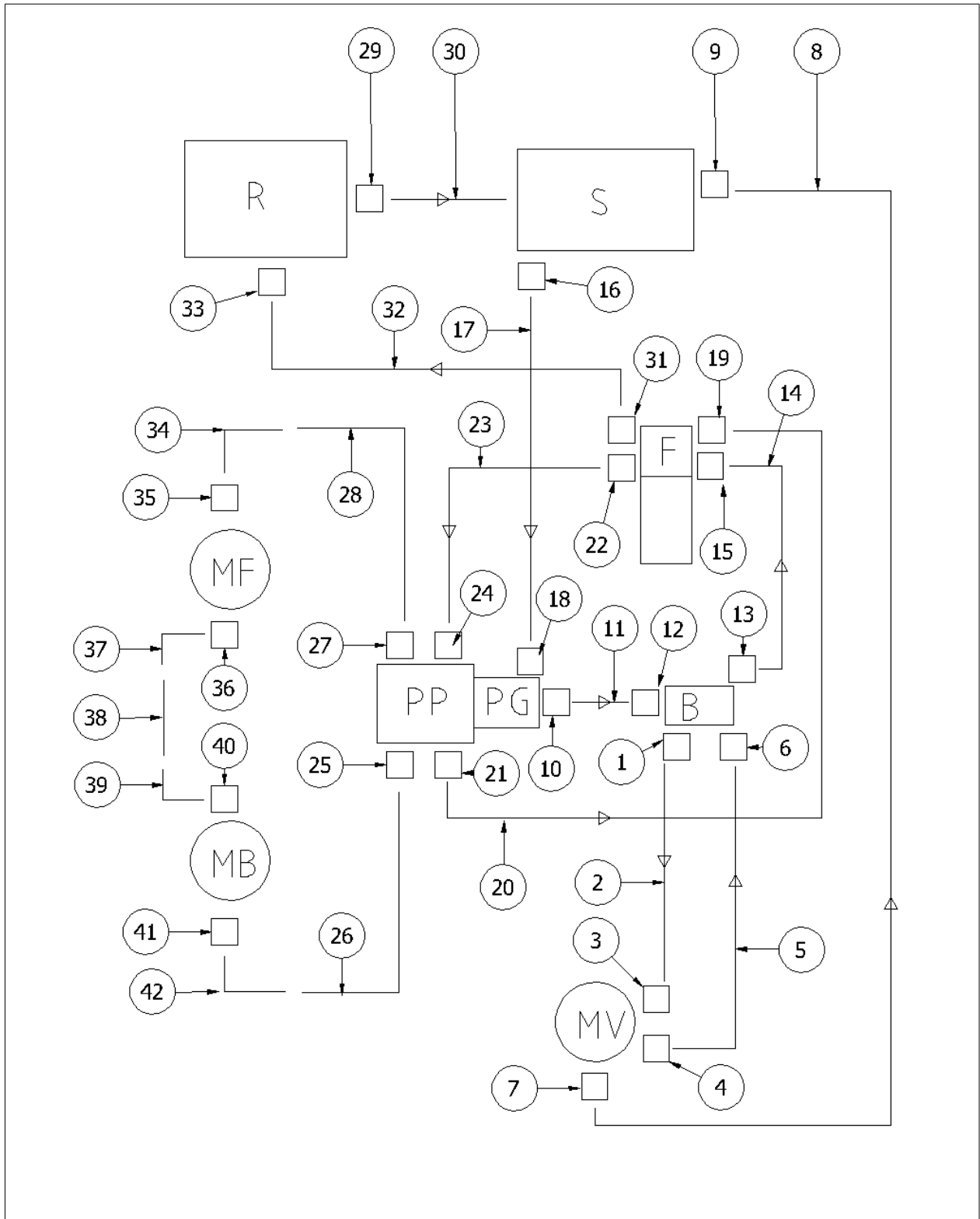




**HYDRAULIC SCHEME**

<b>POS.</b>	<b>CODE</b>	<b>DESCRIPTION</b>	<b>QTY</b>
PP	131073	PISTON PUMP	1
PG	131068	GEAR PUMP	1
B	152327	BLOCK	1
MV	131070	EXCITER ENGINE	1
F	152325	OIL FILTER	1
S	520320	OIL TANK	1
R	131880	OIL RADIATOR	1
MF	131018	FRONT ENGINE	1
MB	131018	BACK ENGINE	1
1	152331	NIPPLE	1
2	152339	PIPE	1
3	152333	PIPE	1
4	152333	PIPE	1
5	152340	PIPE	1
6	152331	NIPPLE	1
7	151237	SCREW	1
8	152342	PIPE	1
9	152341	NIPPLE	1
10	152329	NIPPLE	1
11	152343	PIPE	1
12	152331	NIPPLE	1
13	152331	NIPPLE	1
14	152345	PIPE	1
15	152344	NIPPLE	1
16	152329	NIPPLE	1
17	152346	PIPE	1
18	152328	NIPPLE	1
19	152344	NIPPLE	1
20	152347	PIPE	1
21	152329	NIPPLE	1
22	152344	NIPPLE	1
23	152348	PIPE	1
24	152333	PIPE	1
25	152333	PIPE	1

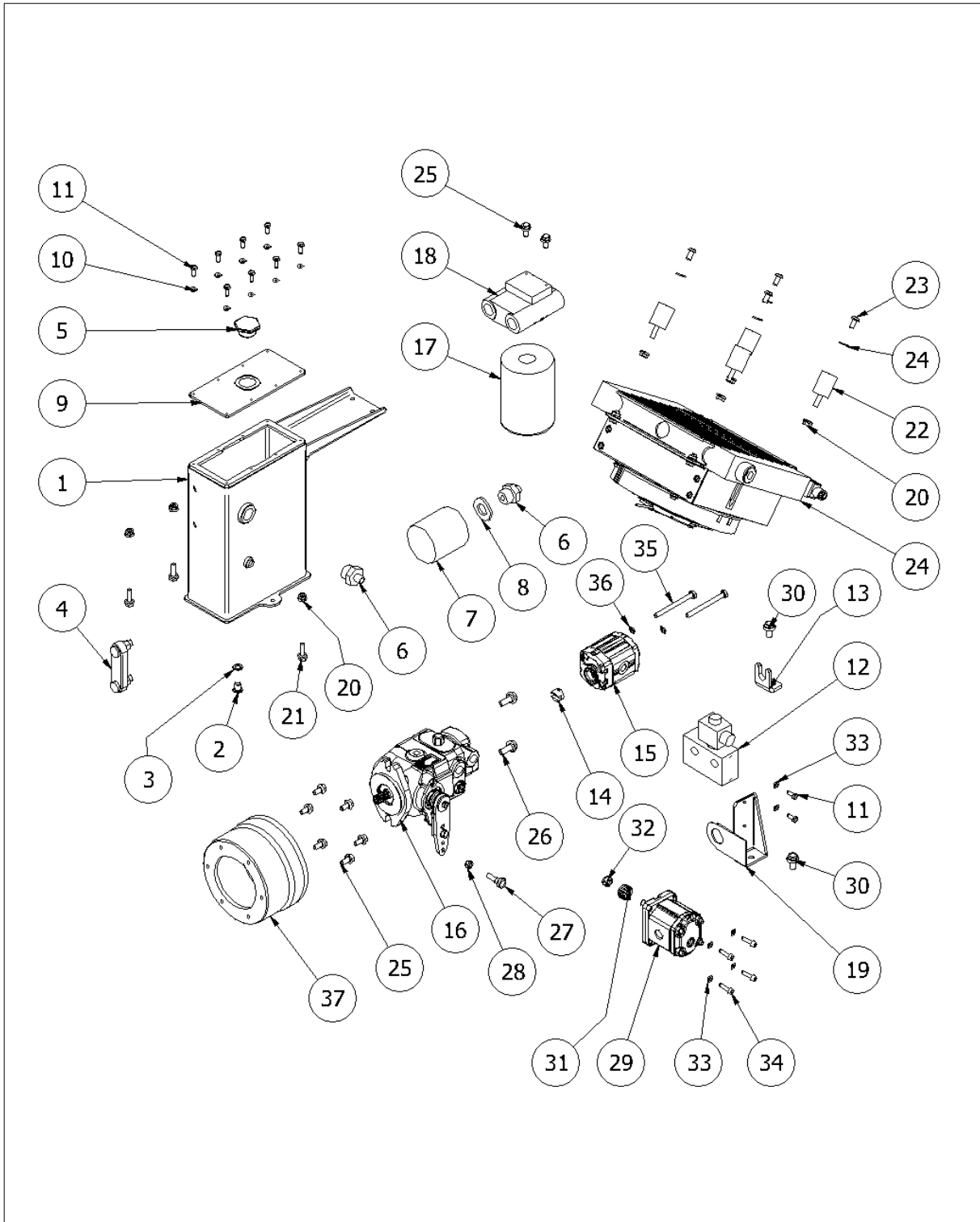
### HYDRAULIC SCHEME



## HYDRAULIC SCHEME

<b>POS.</b>	<b>CODE</b>	<b>DESCRIPTION</b>	<b>QTY</b>
26	152349	PIPE	1
27	152333	PIPE	1
28	152350	PIPE	1
29	152331	NIPPLE	1
30	152351	PIPE	1
31	152344	NIPPLE	1
32	152352	PIPE	1
33	152331	NIPPLE	1
34	151167	RIGID PIPE	1
35	151163	NIPPLE	1
36	151163	NIPPLE	1
37	151166	RIGID PIPE	1
38	151169	PIPE	1
39	151164	PIPE	1
40	151163	NIPPLE	1
41	151163	NIPPLE	1
42	151165	RIGID PIPE	1

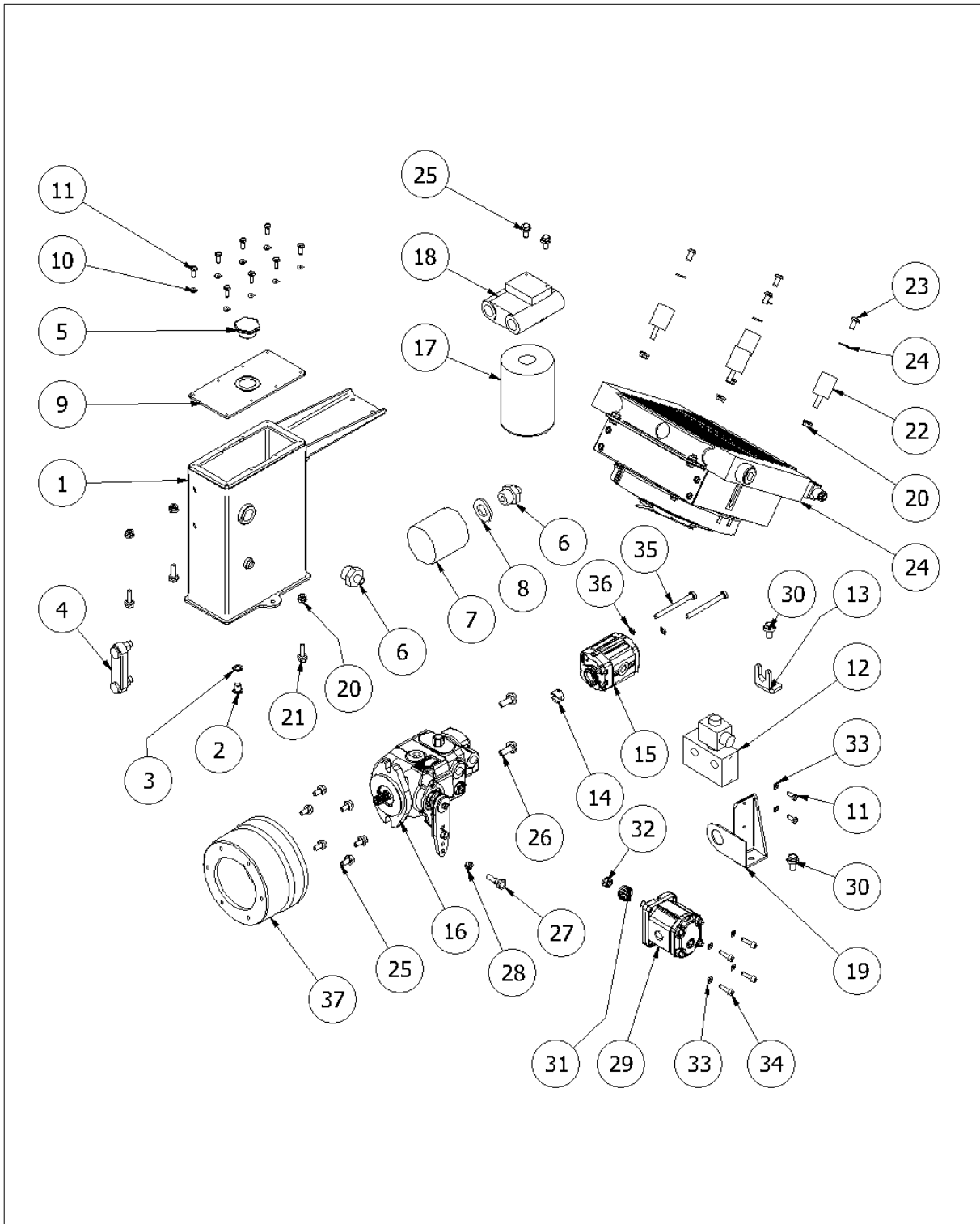
**HYDRAULIC SYSTEM**



**HYDRAULIC SYSTEM**

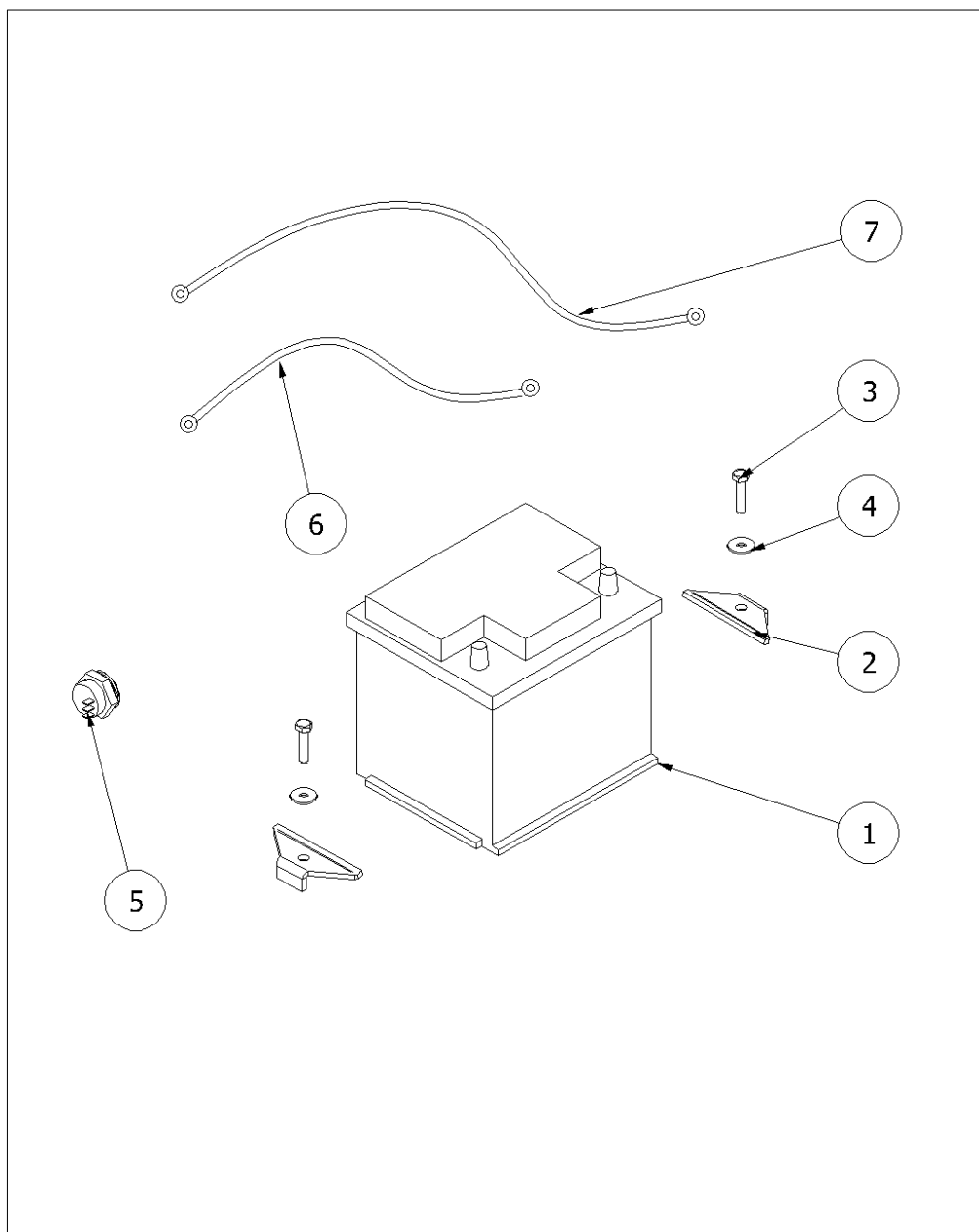
<b>POS.</b>	<b>CODE</b>	<b>DESCRIPTION</b>	<b>QTY</b>
PP	131073	PISTON PUMP	1
PG	131068	GEAR PUMP	1
B	152327	BLOCK	1
MV	131070	EXCITER ENGINE	1
F	152325	OIL FILTER	1
S	520320	OIL TANK	1
R	131880	OIL RADIATOR	1
MF	131018	FRONT ENGINE	1
MB	131018	BACK ENGINE	1
1	152331	NIPPLE	1
2	152339	PIPE	1
3	152333	PIPE	1
4	152333	PIPE	1
5	152340	PIPE	1
6	152331	NIPPLE	1
7	151237	SCREW	1
8	152342	PIPE	1
9	152341	NIPPLE	1
10	152329	NIPPLE	1
11	152343	PIPE	1
12	152331	NIPPLE	1
13	152331	NIPPLE	1
14	152345	PIPE	1
15	152344	NIPPLE	1
16	152329	NIPPLE	1
17	152346	PIPE	1
18	152328	NIPPLE	1
19	152344	NIPPLE	1
20	152347	PIPE	1
21	152329	NIPPLE	1
22	152344	NIPPLE	1
23	152348	PIPE	1
24	152333	PIPE	1
25	152333	PIPE	1
26	152349	PIPE	1

# HYDRAULIC SYSTEM



**HYDRAULIC SYSTEM**

<b>POS.</b>	<b>CODE</b>	<b>DESCRIPTION</b>	<b>QTY</b>
27	152333	PIPE	1
28	152350	PIPE	1
29	152331	NIPPLE	1
30	152351	PIPE	1
31	152344	NIPPLE	1
32	152352	PIPE	1
33	152331	NIPPLE	1
34	151167	RIGID PIPE	1
35	151163	NIPPLE	1
36	151163	NIPPLE	1
37	151166	RIGID PIPE	1
38	151169	PIPE	1
39	151164	PIPE	1
40	151163	NIPPLE	1
41	151163	NIPPLE	1
42	151165	RIGID PIPE	1

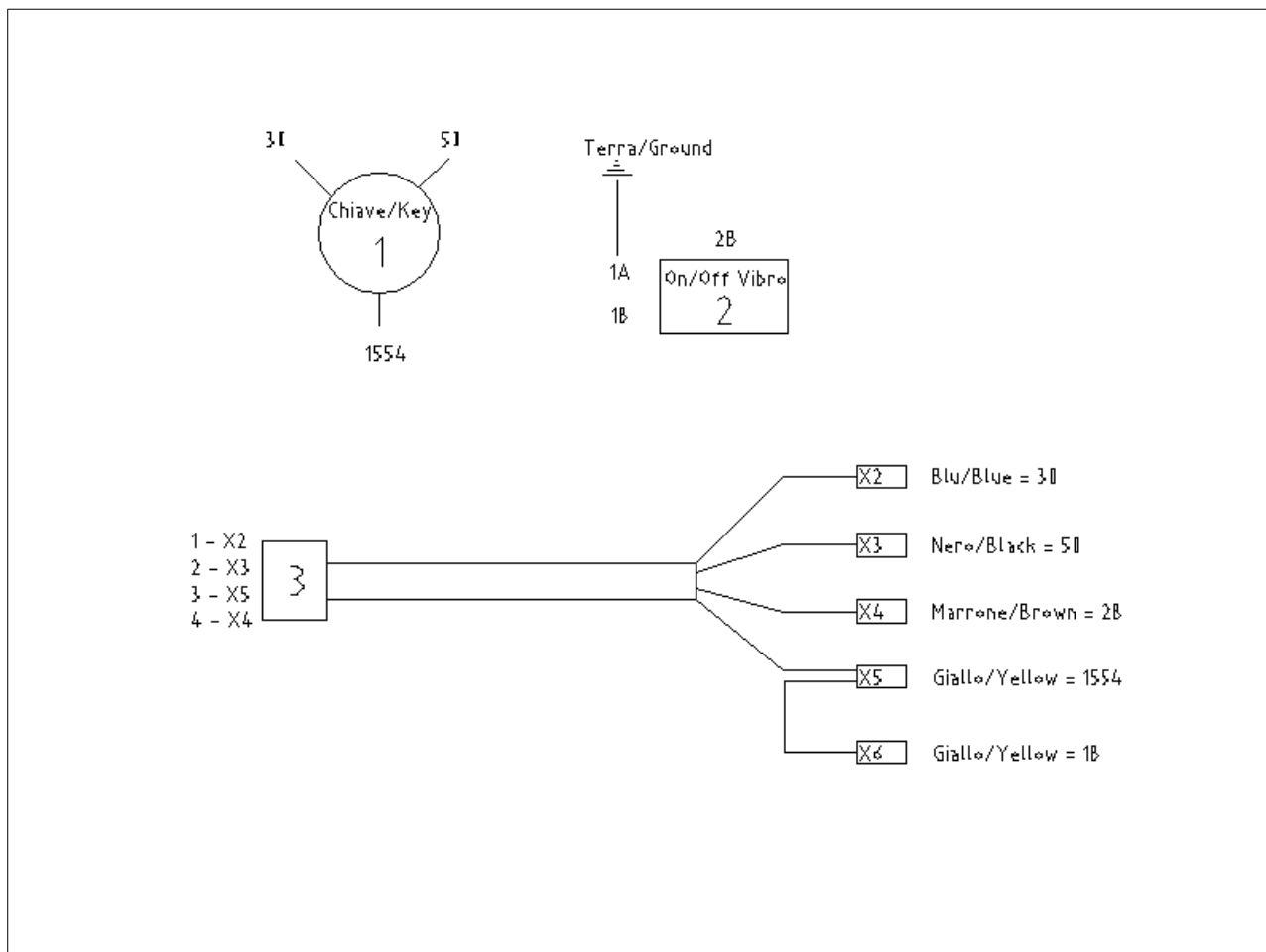
**BATTERY**



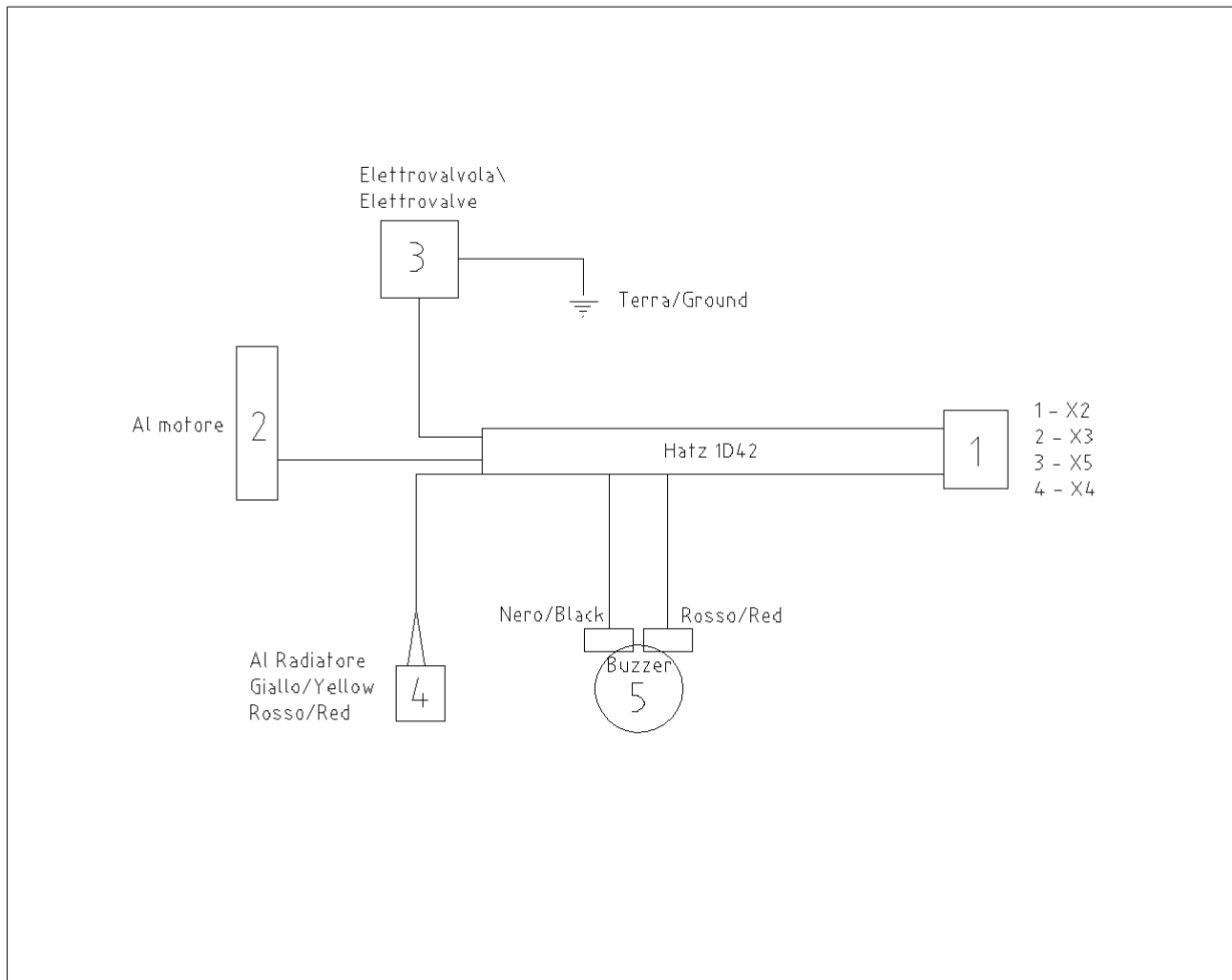
**BATTERY**

<b>POS.</b>	<b>CODE</b>	<b>DESCRIPTION</b>	<b>QTY</b>
1	132303	AUTOPOWER 400 BATTERY	1
2	520350	BATTERY HOLDER	2
3	151311	SCREW	2
4	152006	WASHER	2
5	132259	BUZZER	1
6	131103	BATTERY CABLE	1
7	131104	BATTERY CABLE	1

### GENERAL WIRING – CODE 520124



POS.	CODE	DESCRIPTION
1	132004	STARTING PINION
2	131693	ON-OFF SWITCH
3		CONNECTOR

**ENGINE WIRING****KOHLER CODE 520127****HATZ 1B40 CODE 520128****HATZ 1D42 CODE 520129**

POS.	CODE	DESCRIPTION
1		TO CONNECTOR
2		TO ENGINE
3		ELECTROVALVE
4		RADIATOR
5		BUZZER

**Italia Star Com Due S.R.L.**  
Autostrada București - Pitești km. 13.2  
Loc. Chiajna - Ilfov  
Tel: 021.433.03.27  
Fax: 021.433.03.26  
[info@italiastar.ro](mailto:info@italiastar.ro) [www.italiastar.ro](http://www.italiastar.ro)