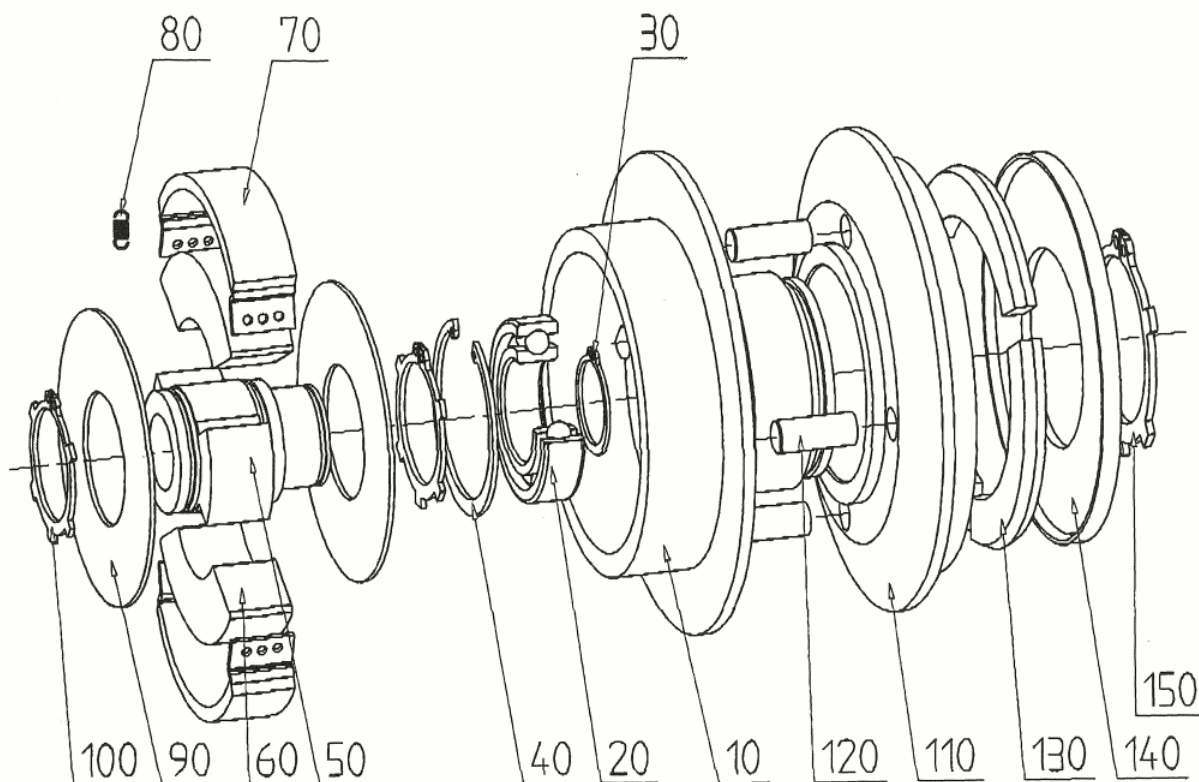


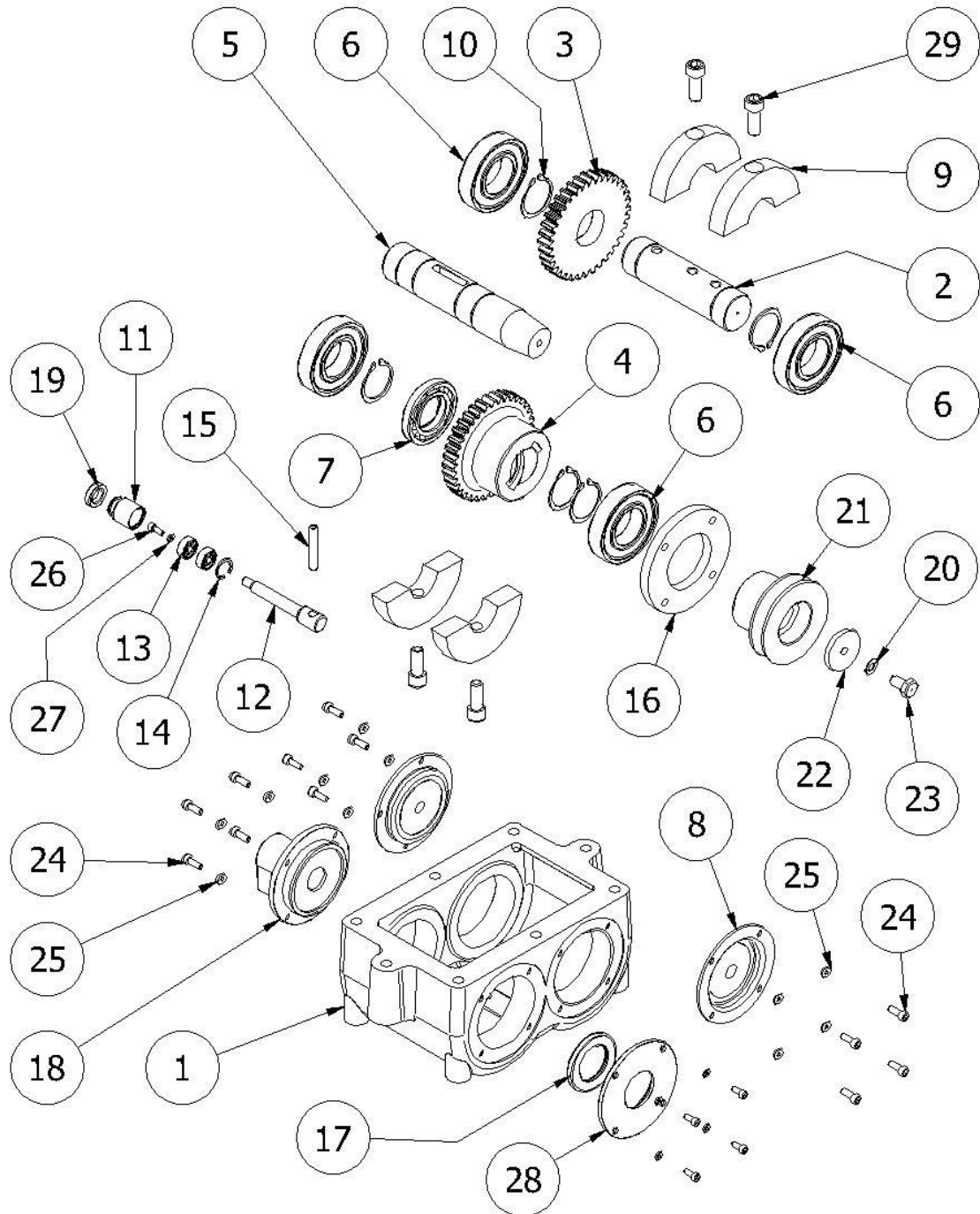
EXPLODED VIEW

CENTRIFUGAL CLUTCH



POS	DESCRIPTION	COD	CRB11 CRD12
10	HOUSING BEARING		1
20	BEARING		1
30	SEEGER		1
40	SEEGER		1
50	CYLINDRICAL HUB		1
50	CONICAL HUB		1
60	CENTRIFUGAL		2
70	CLUTCH LINING		2
80	SPRING	151994	4
90	DISC		2
100	SEEGER		2
110	PULLEY		1
120	PINS		3
130	CENTRIFUGAL MASSE		3
140	COVER		1
150	SEEGER		1

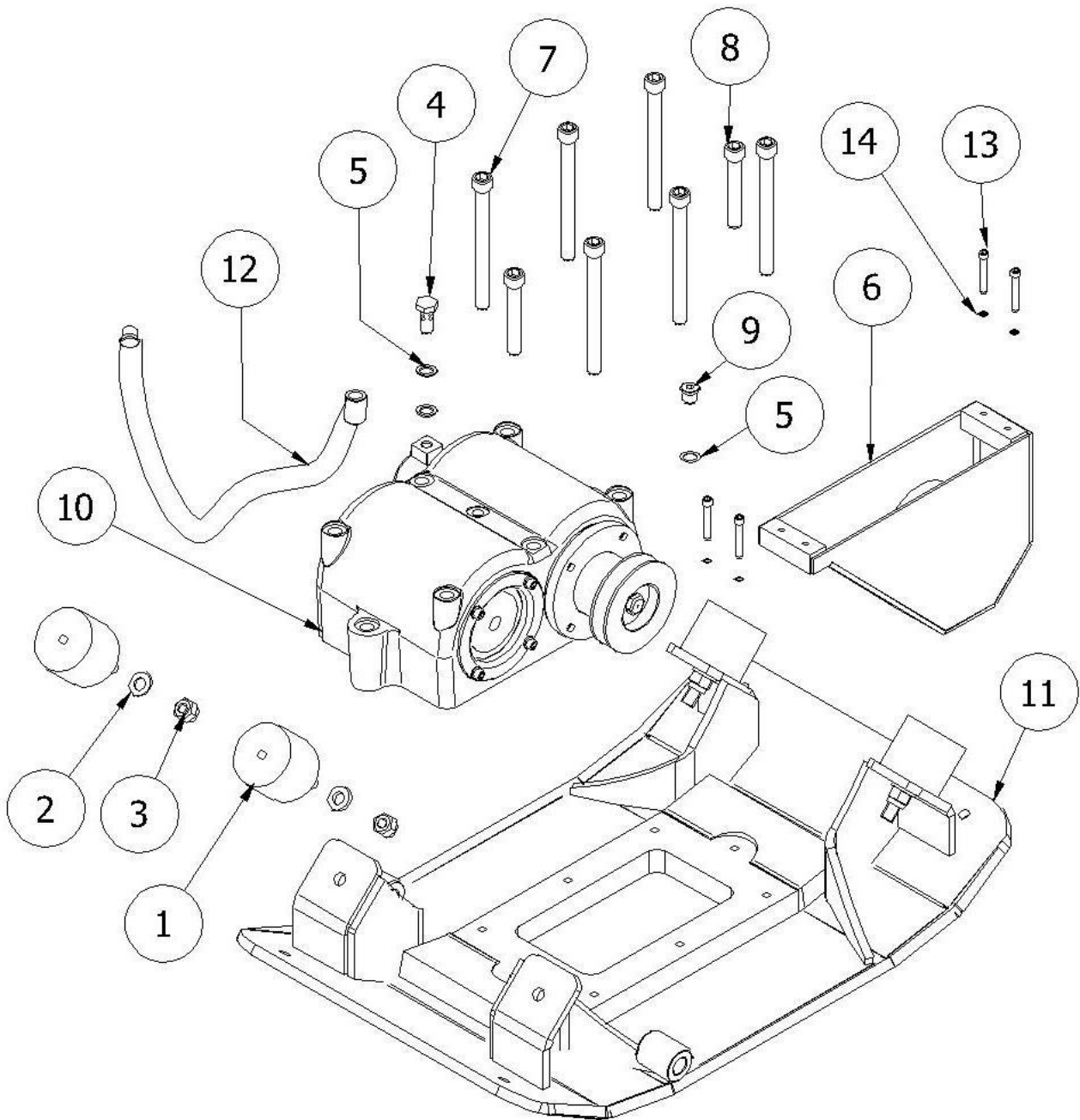
EXCITER



EXCITER

POS	CODICE	DESCRIPTION	QTÀ
1	530165	EXCITER HOUSING	1
2	530169	CONDUCTED SHAFT	1
3	530039	CONDUCTED GEAR	1
4	530903	CONDUCTOR GEAR	1
5	530902	CONDUCTOR SHAFT	1
6	151969	BEARING NJ208	4
7	151078	BEARING 16008	1
8	530055	BLIND COVER	2
9	530177	MASSE	4
10	151220	SEEGER E. 40 DIN 471	6
11	530051	PISTON	1
12	530904	COAXIAL PIN COASSIALE	1
13	151079	BALL BEARING 608 ZZ	2
14	151222	SEEGER I. 22 UNI 7437	1
15	152199	PIN D.8X50	1
16	530144	RUBBER RING	1
17	131760	OILSEAL 40X62X7 BASL NBR	1
18	530050	EXCITER CYLIDER	1
19	131093	LIP PACKING NA 25X 17X 5,5 VITON	1
20	152000	WASHER GROWER M10	1
21	530749	EXCITER PULLEY	1
22	530612	PULLEY WASHER 45X10.5 SP.6 ZN	1
23	530056	SCREW M10X20	1
24	151301	TCEI SCREW M 6X 16 8.8 UNI 5931 ZN	12
25	151198	WASHER M 6 UNI 6592 ZN	12
26	151299	SCREW TCEI M5X12 8.8	5
27	151197	WASHER M 5 UNI 6592	5
28	530054	COVER	1
29	151307	SCREW TCEI M12X30 UNI 5931 12.9	4

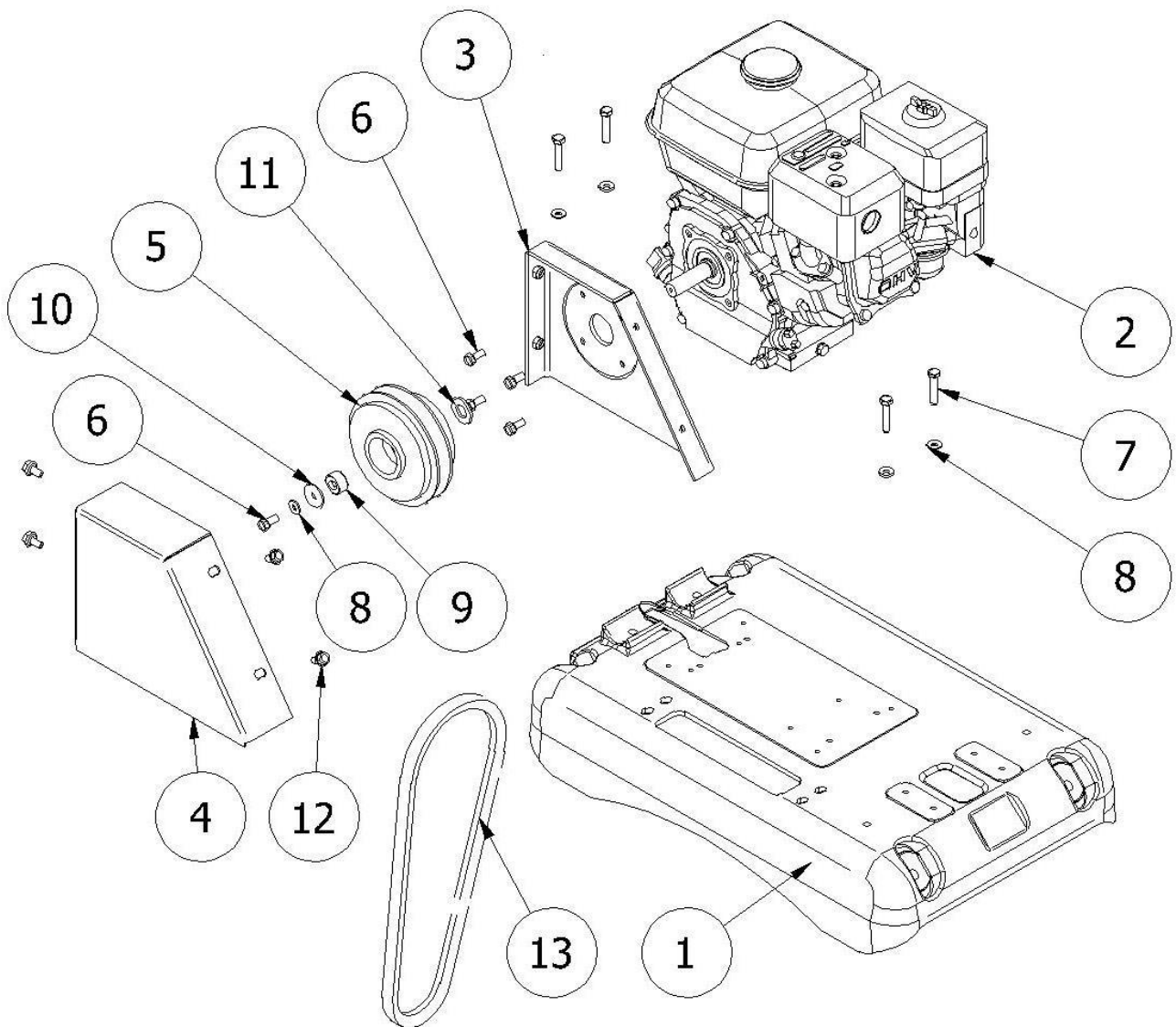
BASE PLATE



BASE PLATE

POS	CODICE	DESCRIPTION	QTÀ
1	131013	SHOCKMOUNT 60X50 M12	4
2	151201	WASHER M12 UNI 6592 ZN	4
3	152160	LOCKING NUT M12 DIN 980	4
4	151237	BOLT GAS 1/4"	1
5	151209	COPPER WASHER 1/4"	3
6	531018	EXCITER BELT PROTECTION	1
7	151954	SCREW TCEI M12X130 10.9 UNI 5931	6
8	151953	SCREW TCEI M12X75 10.9 UNI 5931	2
9	152181	CAP TCEI 1/4 G	1
10	530185	EXCITER ASSEMBLY	1
11	331564	BASE PLATE CR 2140	1
11	530613	BASE PLATE CR 2150	1
12	131860	RUBBER PIPE 1SC 1/4 L1015 F1/4+O 1/4	1
13	152105	SCREW TE M 8X30 8.8 UNI 5739 ZN	4
14	152006	LARGE WASHER M8X 24	4

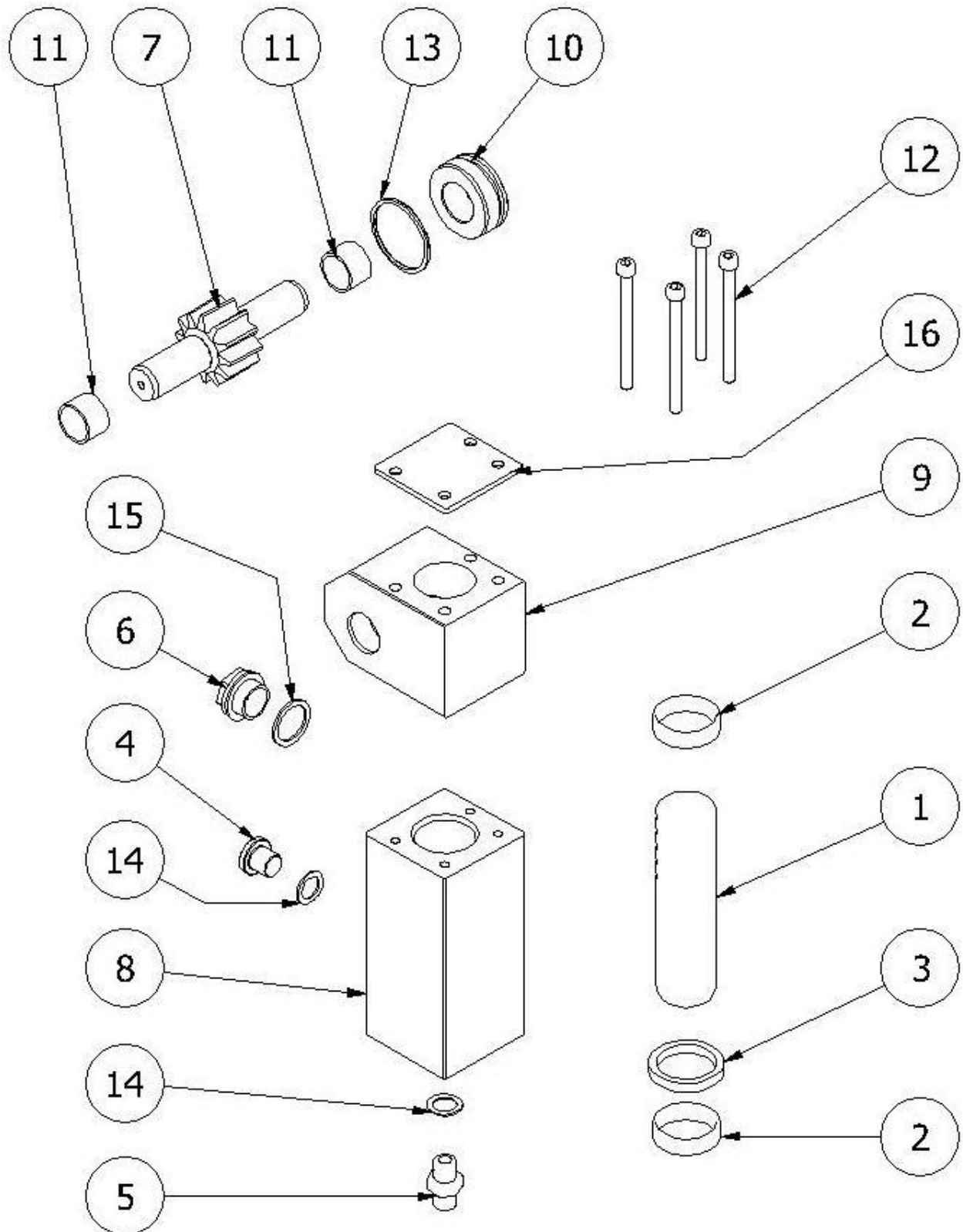
ENGINE SUPPORT



ENGINE SUPPORT

POS	CODICE	DESCRIPTION	QTÀ
1	531073	ENGINE SUPPORT CR21	1
2	181129	ENGINE HONDA GX 160 UT1 QX4	1
2	182217	ENGINE ROBIN EX 17	1
2	182286	ENGINE KOHLER SH265	1
2	182252	ENGINE LOMB. KOHLER 15LD225	1
2	181130	ENGINE HATZ 1 B20	1
3	531078	BELT PROTECTION SUPPORT HONDA ENGINE	1
3	531083	BELT PROTECTION SUPPORT HATZ-LOMBARDINI ENGINE	1
4	531079	BELT PROTECTION ENGINE HONDA	1
4	531084	BELT PROTECTION ENGINE HATZ-LOMBARDINI	1
5	152229	CENTRIFUGAL CLUTCH 19.05 Petrol	1
5	152228	CONICAL CENTRIFUGAL CLUTCH DIESEL	1
6	151309	SCREW TE 5/16-24X3/4" 8.8 UNF	5
7	152191	SCREW TE M8X40 UNI5737 8.8 ZN	4
8	151807	WASHER CONTACT 8 ZN	5
9	560502	BUSHING PULLEY	1
10	152192	WASHER M8X32	1
11	152049	WASHER M18 UNI 6592 ZN	1
12	152040	SCREW FLG DIN 6921 M8X16 8.8 ZN	4
13	132056	BELT HFX SEZ. XPA 850	1

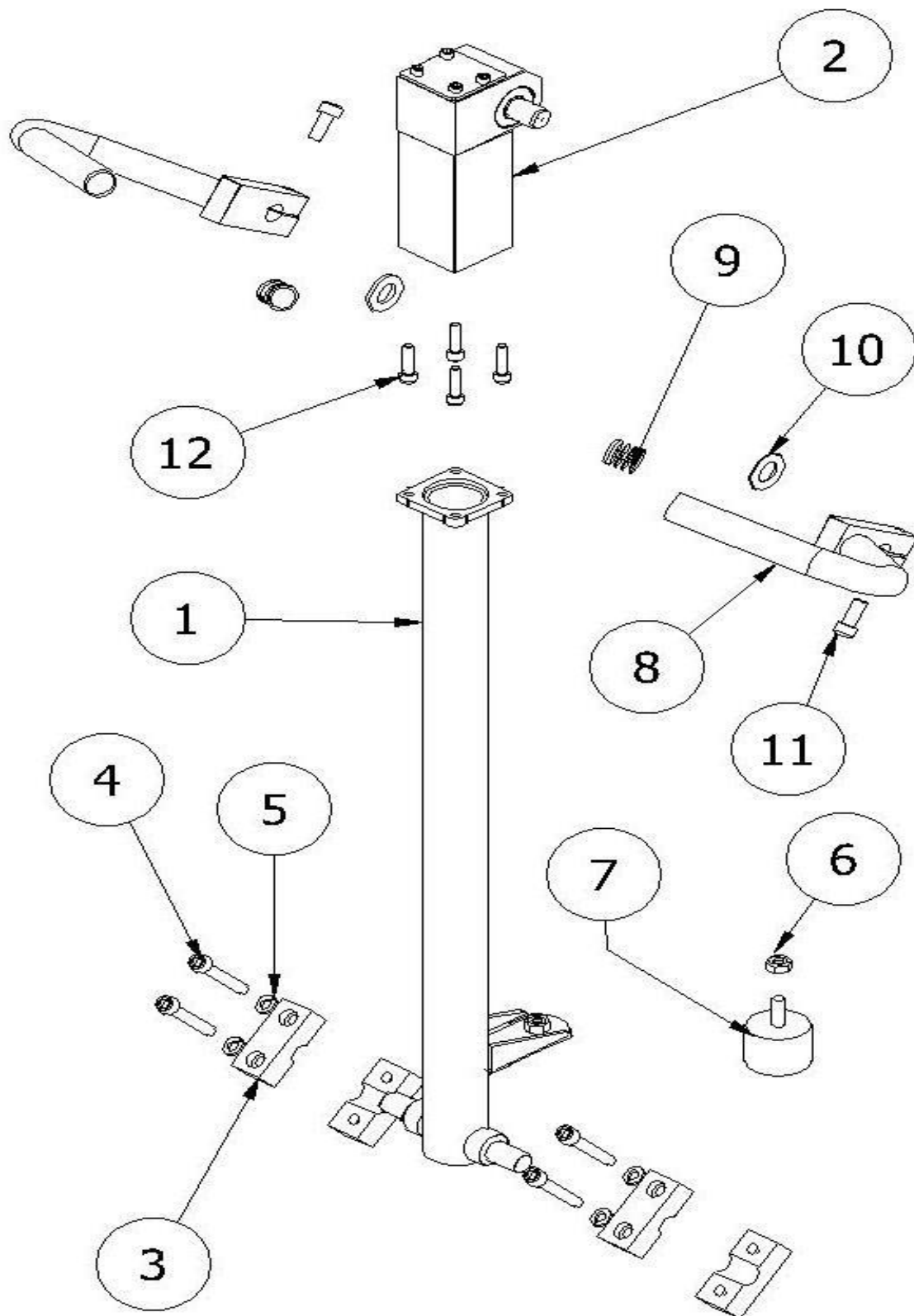
PUMP



PUMP

POS	CODICE	DESCRIPTION	QTÀ
1	530716	GEAR AXLE PISTON	1
2	132090	RING FI32	2
3	132057	LIP PACKING SD 32X40X5.8	1
4	152234	CAP DIN 908 1/4"G	1
5	151137	NIPLE 1/4"	1
6	151001	OIL LEVEL CAP 1/2"GAS	1
7	530717	PINION	1
8	530714	PUMP HOUSING	1
9	530715	PINION HOUSING	1
10	530718	PINION BUSHING	1
11	151214	PAP 20X23X15	2
12	152051	SCREW TCEI UNI 5931 M6X60 ZN	4
13	131060	O-RING 3150	1
14	151209	WASHER RAME 1/4"	2
15			
16	531038	PUMP CAP	1

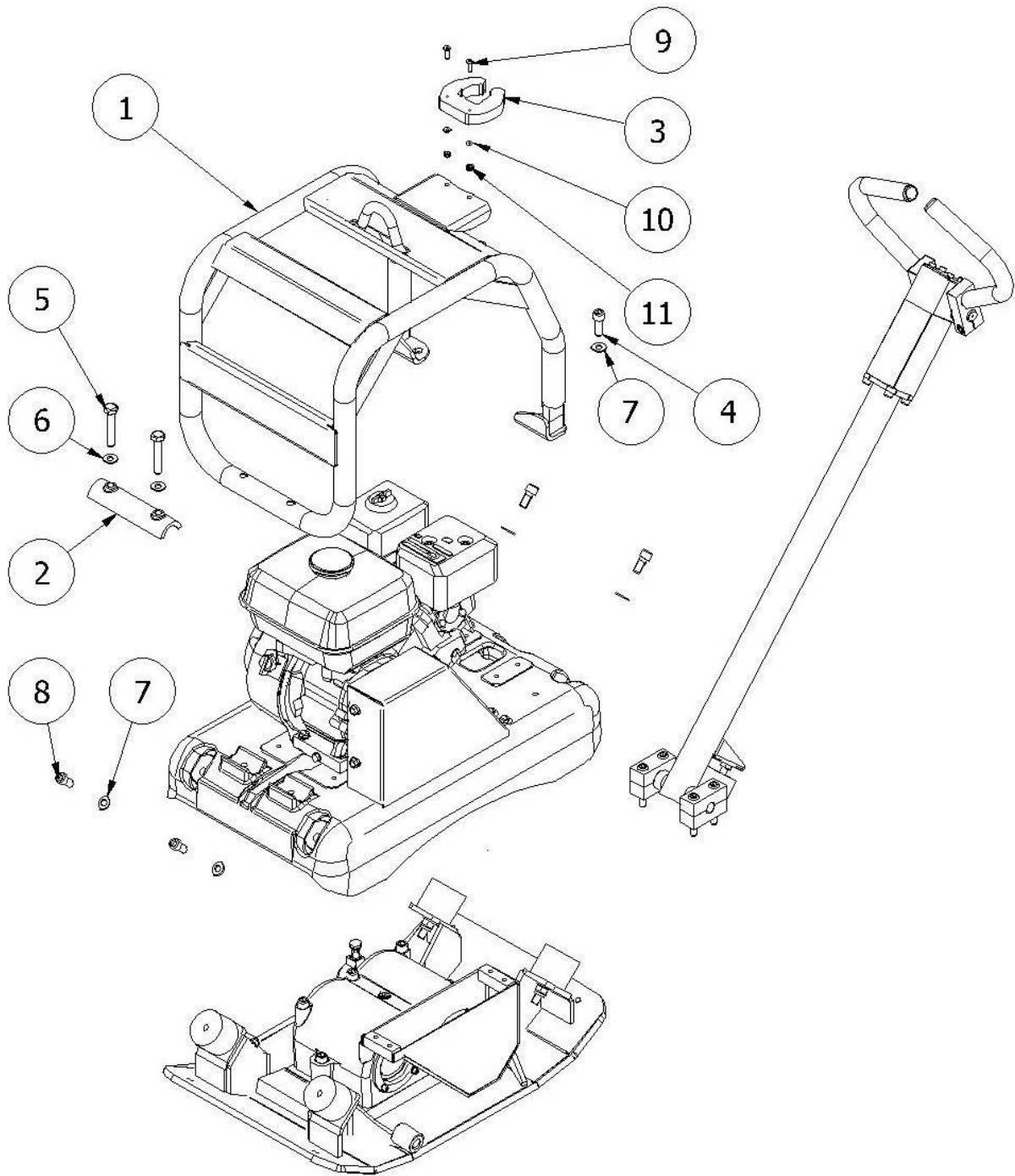
HANDLE



HANDLE

POS	CODICE	DESCRIPTION	QTÀ
1	531076	HANDLE CR21	1
2	530713	PUMP ASSEMBLY	1
3	131033	COLLAR D20	4
4	152083	CILINDRICAL HEAD SCREW	4
5	152000	WASHER GROWER M10	4
6	151085	HEXAGONAL NUT M10 UNI5588	1
7	131784	SHOCKMOUNT D50X40 MF M10X27	1
8	530130	BLACK HANDLE	2
9	131244	CAP D.25	2
10	151963	WASHER M20 UNI 6592	2
11	151831	SCREW TCEI M10X25	2
12	152138	CILINDRICAL HEAD SCREW UNI 5931 - M 8 X 30	4

VIBRATORY PLATE



VIBRATORY PLATE

POS	CODICE	DESCRIPTION	QTÀ
1	531077	ROLLBAR CR21 Petrol	1
1	531081	ROLLBAR CR21 DIESEL	1
2	530493	ROLLBAR CLAMP	1
3	531032	HANDLE STOP	1
4	152011	SCREW TCEI UNI 5931-M12X30	2
5	152202	SCREW TE M12X65 UNI 5737 ZN	2
6	151201	WASHER M12 UNI 6592 ZN	2
7	151813	WASHER CONTACT 12(12.4X27X1.8)ZN	6
8	151306	V TCEI M12X 25 8.8 UNI 5931 ZN	4
9	152287	SCREW TPSEI UNI 5933 - M6 X 20	2
10	151198	WASHER M 6 UNI 6592 ZN	2
11	152157	LOCKING NUT M 6 DIN 982	2